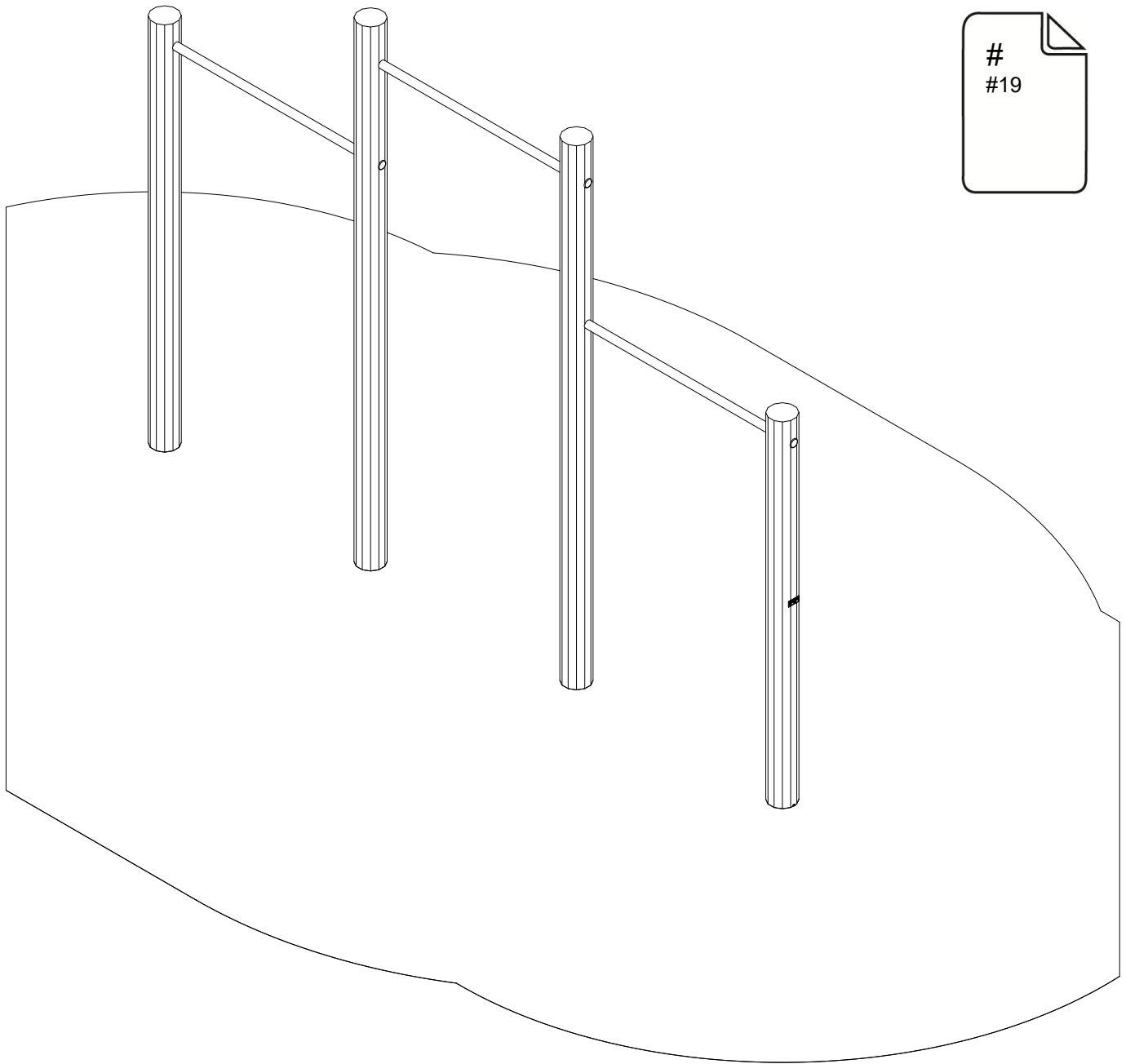
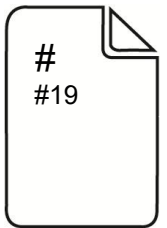
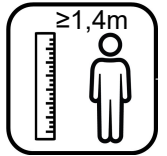
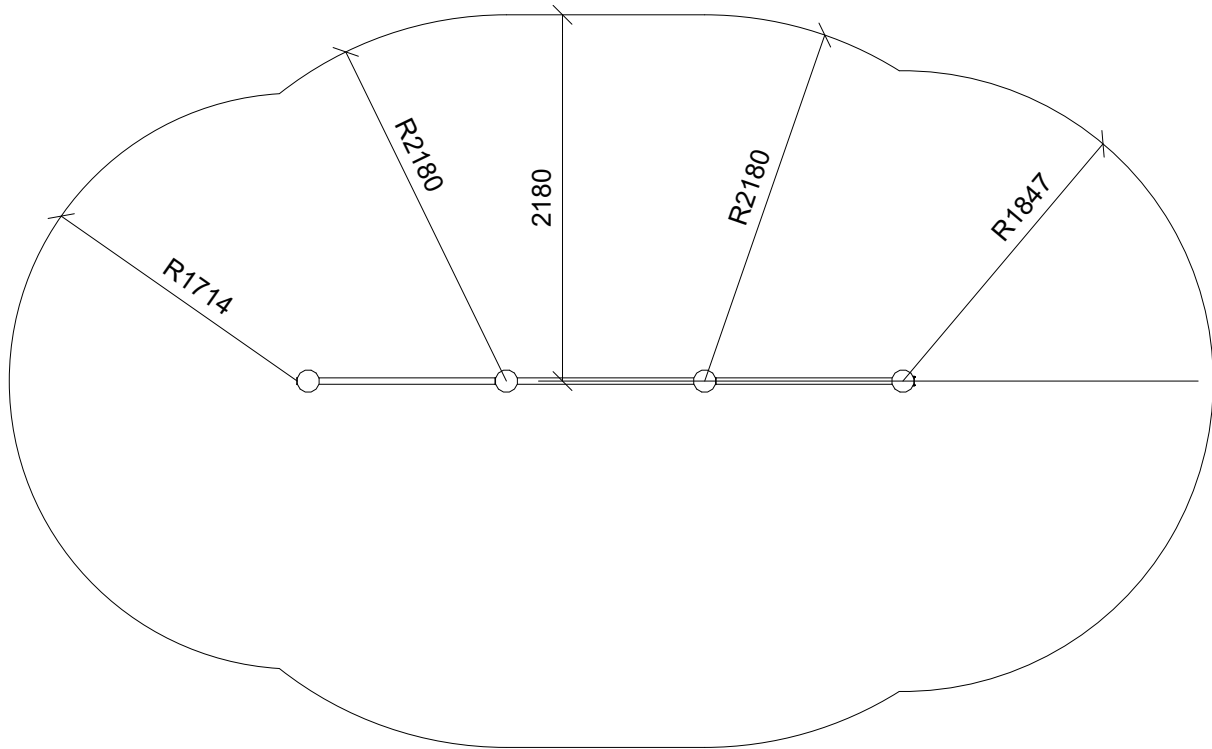
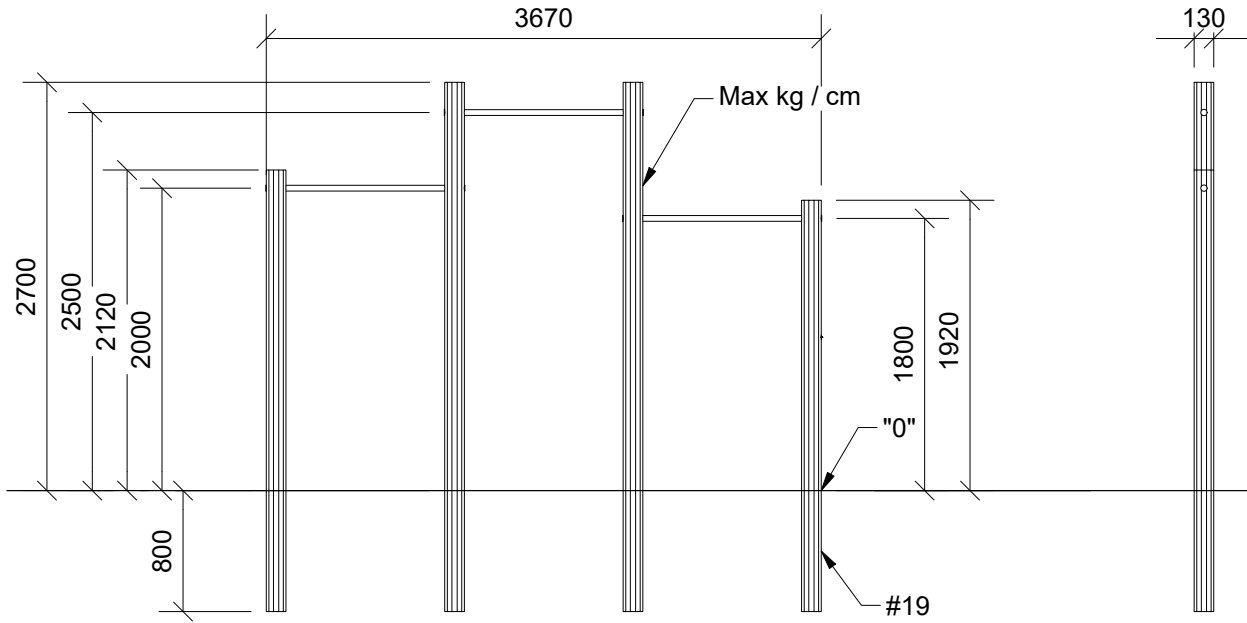


FN15120U
FN15120

1/5



FN15120U
FN15120



2



1h



25 m²



7,17 x 4,36 x 2,7 m



~166 kg



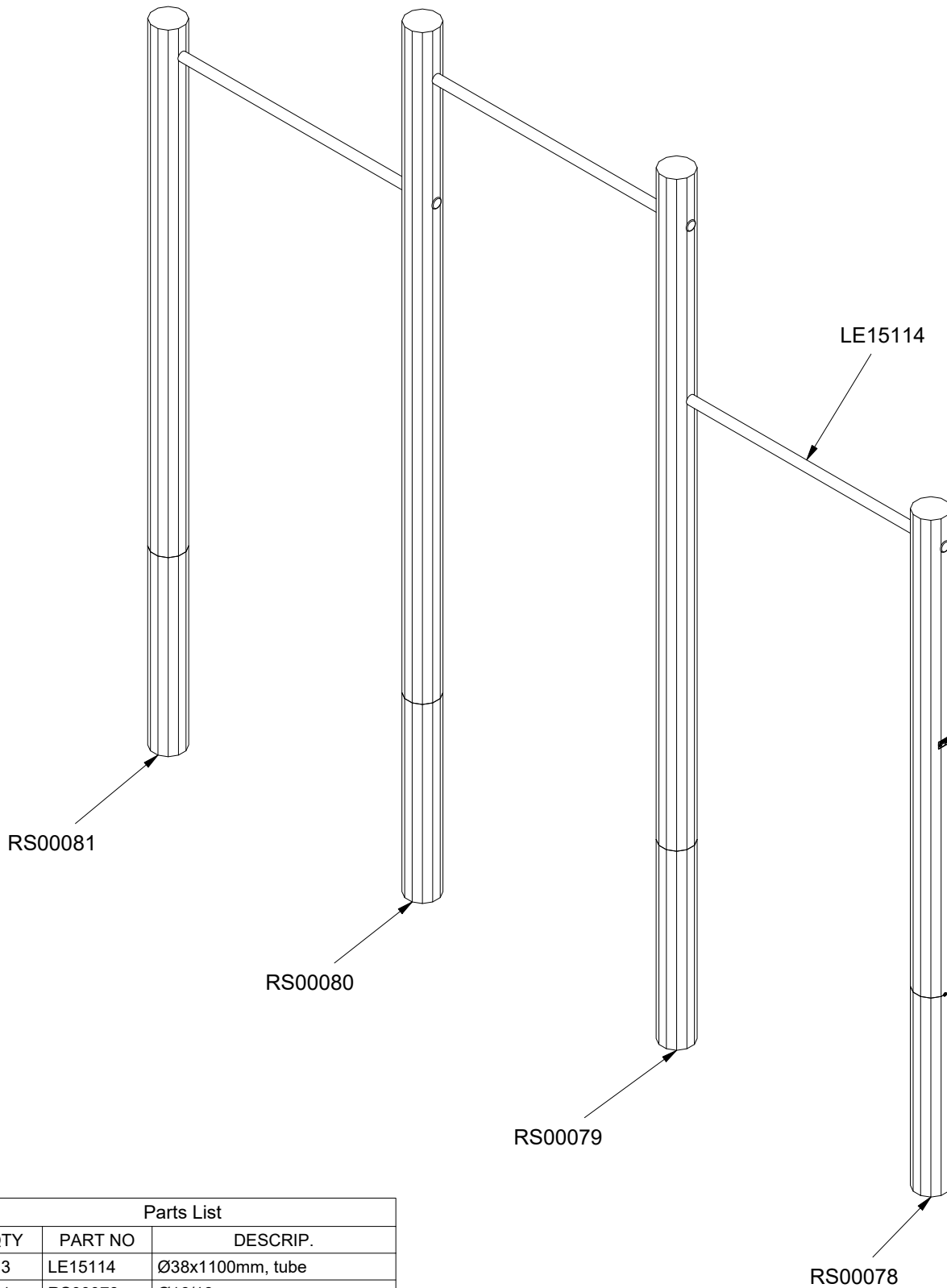
~0,15 m³



Ø12/14 x 350 cm

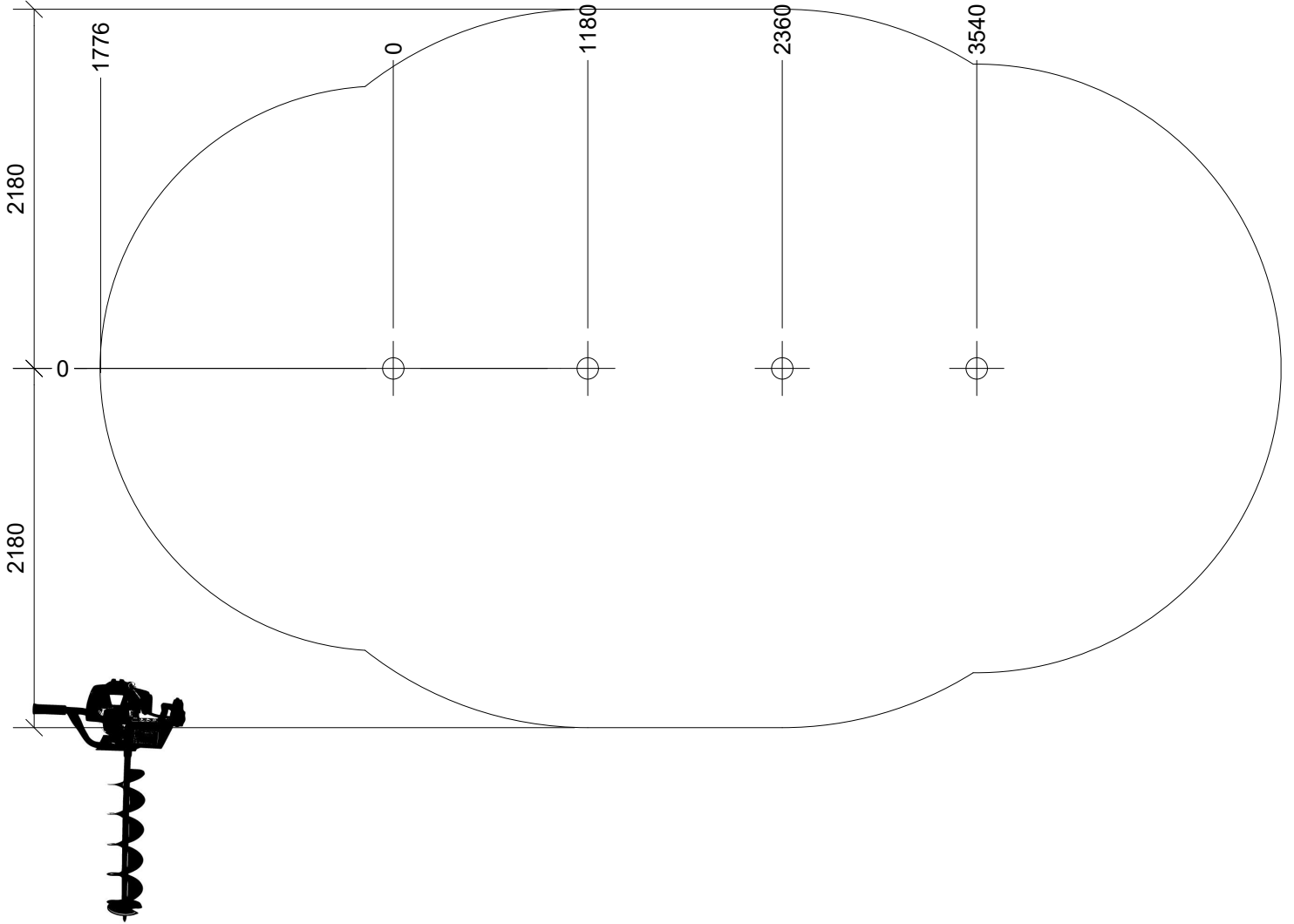
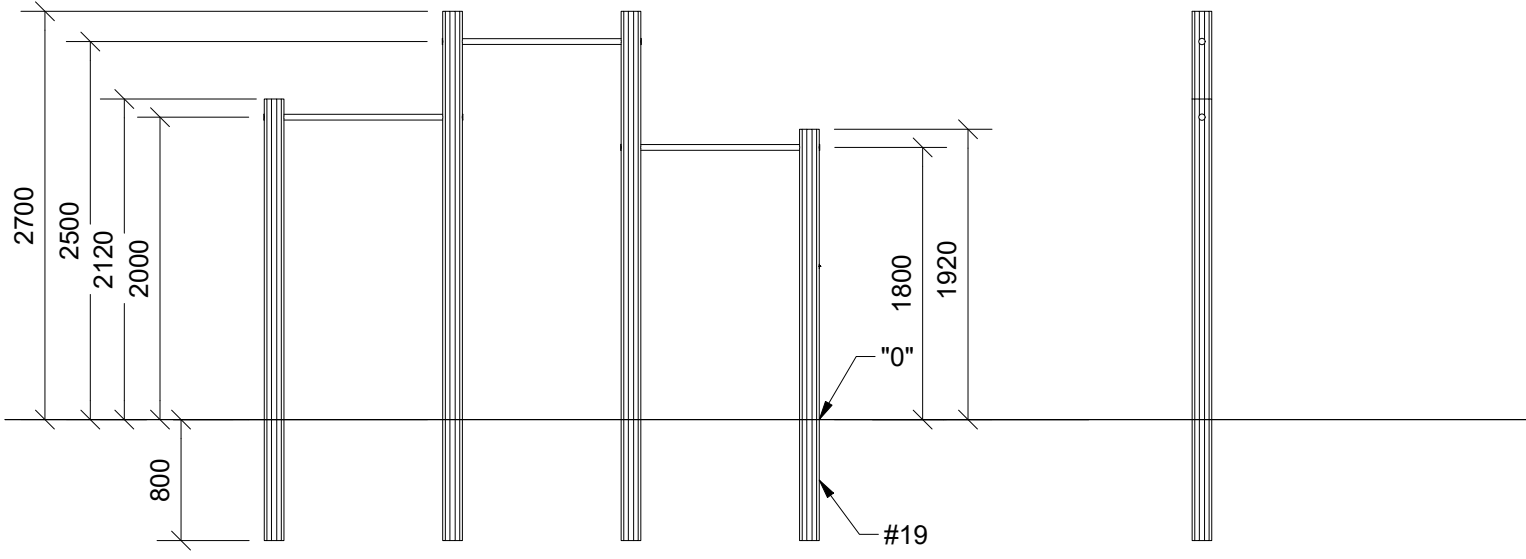


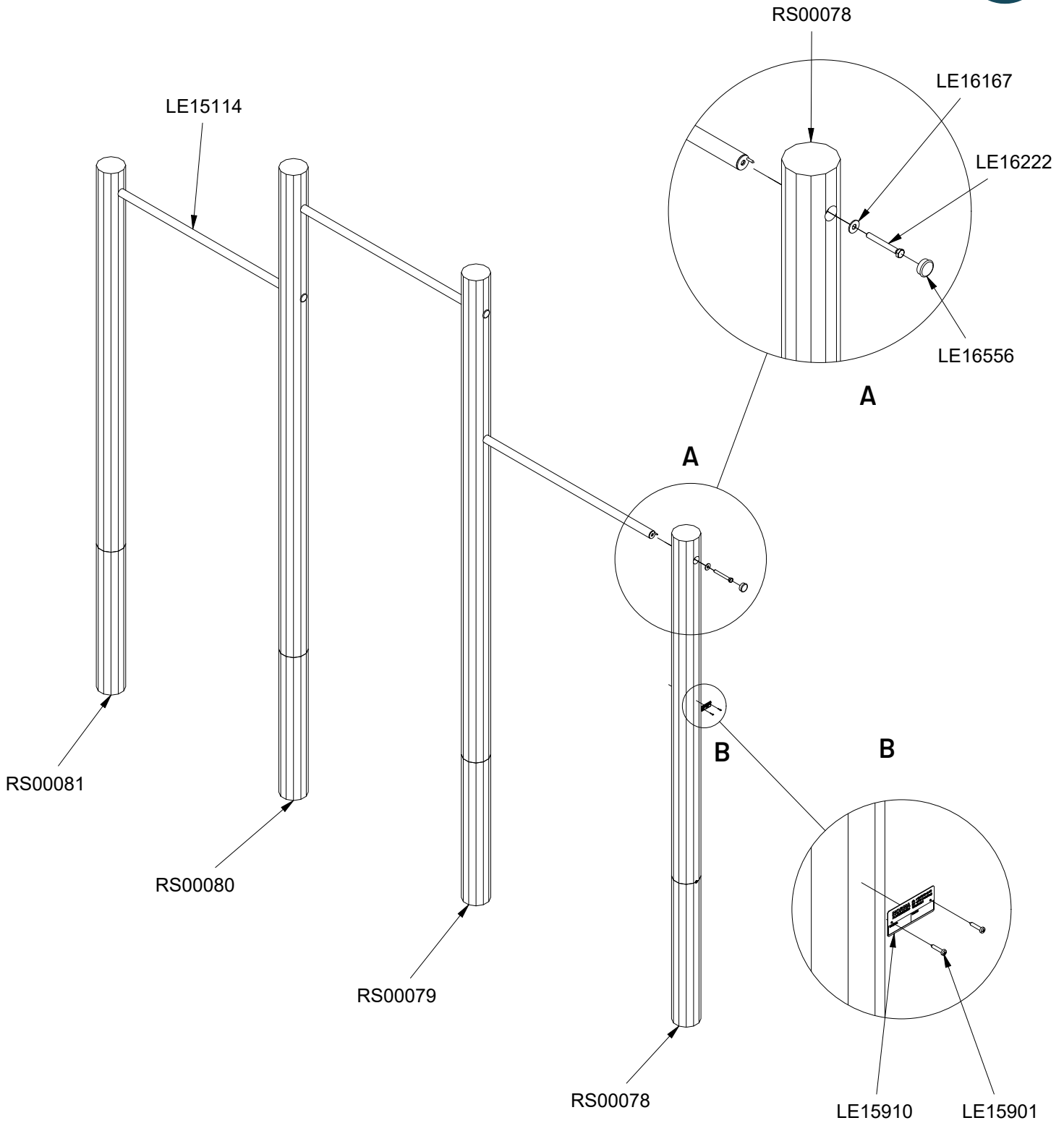
43 kg



Parts List		
QTY	PART NO	DESCRIP.
3	LE15114	Ø38x1100mm, tube
1	RS00078	Ø16/18
1	RS00079	Ø16/18
1	RS00080	Ø16/18
1	RS00081	Ø16/18

FN15120U
FN15120





Parts List		
QTY	PART NO	DESCRIP.
3	LE15114	Ø38x1100mm, tube
2	LE15901	3x16, PH
1	LE15910	Name tag
6	LE16167	M12 - Ø32 mm
6	LE16222	M12 x 100
6	LE16556	Ø42/38mm
1	RS00078	Ø16/18
1	RS00079	Ø16/18
1	RS00080	Ø16/18
1	RS00081	Ø16/18

