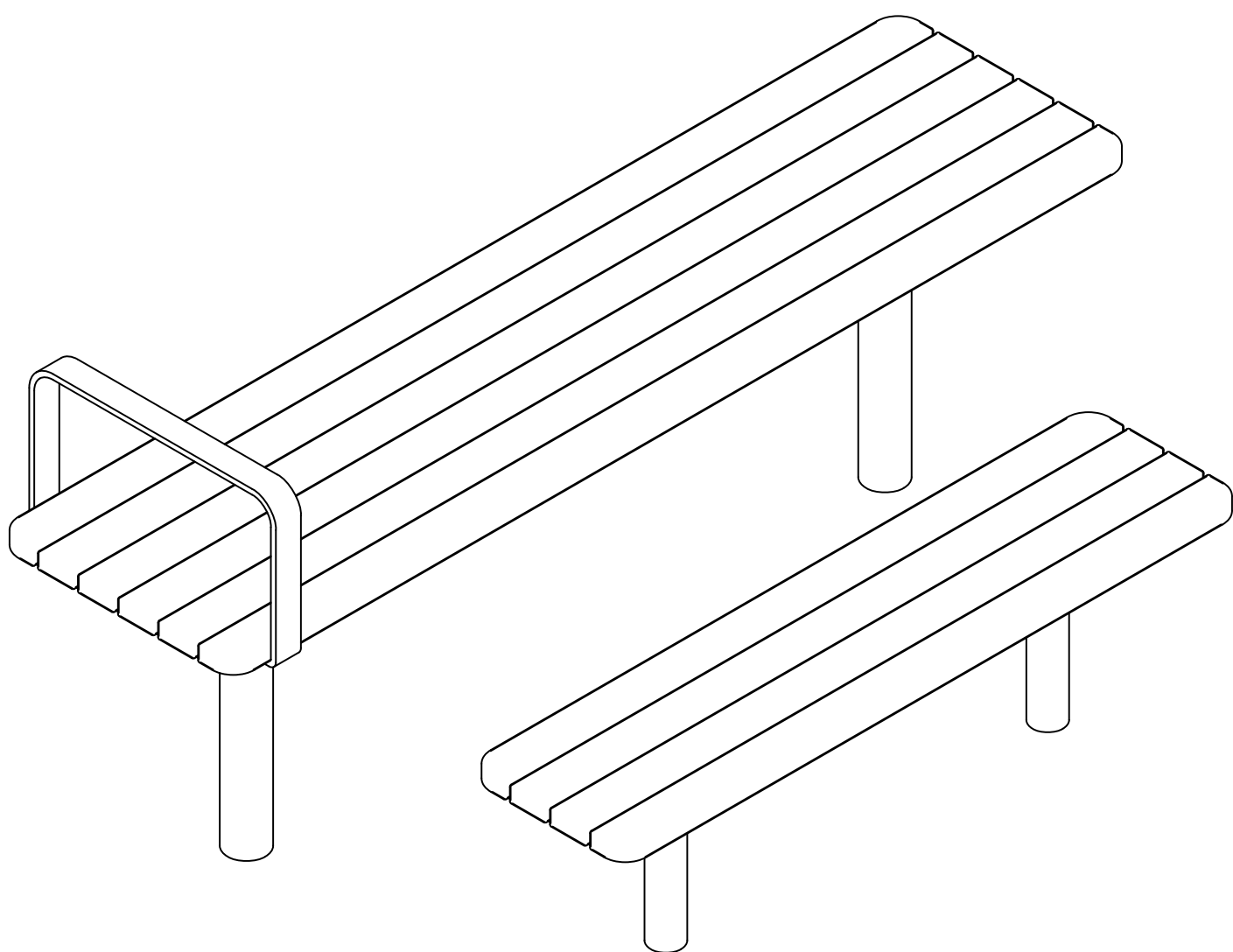


Skala Bench

Product sheet
Maintenance

Article number: 267224, 267254



Product sheet

With wooden seating area for two to three people, the bench can be ordered with or without armrest. Also available in children's size.

Article number: 267224, 267254

Designer: Karlsson & Björk

Material: Solid pine and hot-dip galvanized steel

Country of manufacture: Sweden

Environmental labeling: See website

Colors: Optional RAL-Classic

Förankring: In-ground or base plate

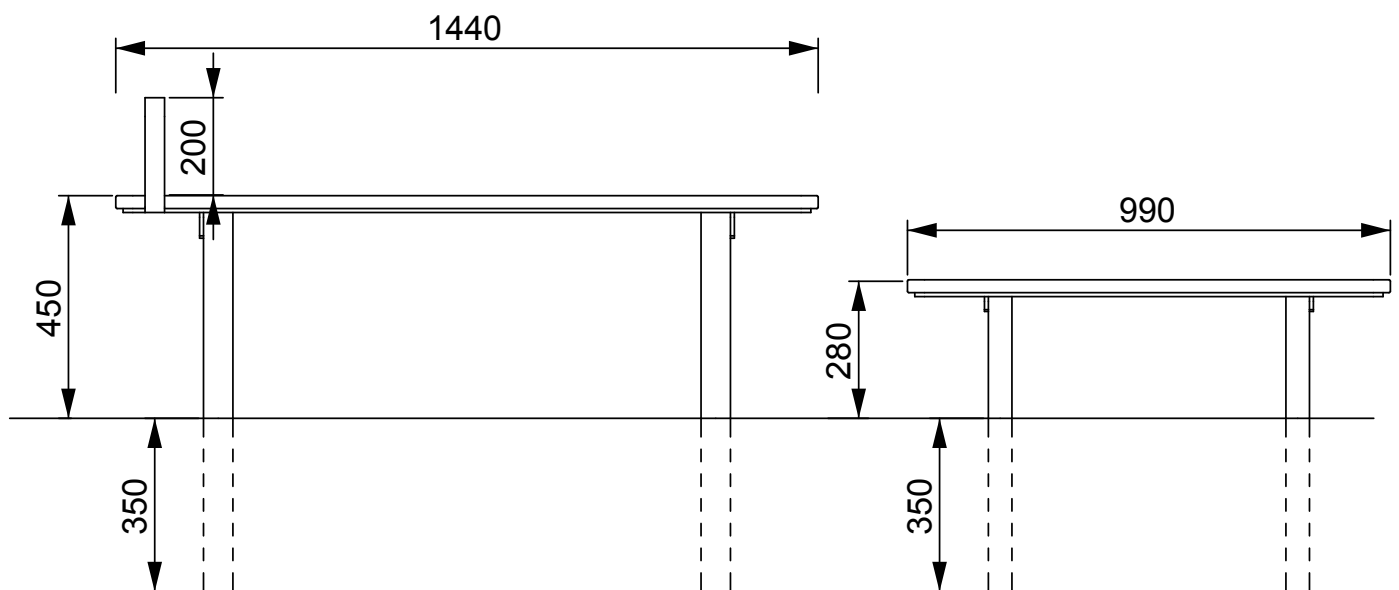
Glänta Design

Kvarnholmsvägen 77, 131 33 Nacka, Sweden

+46 (0) 70 731 38 13

info@glantadesign.com

www.glantadesign.com



Maintenance

Maintenance-Solid Pine

The equipment is factory-treated with a quality oil from Sherwin Williams. The need for maintenance varies depending on how exposed the product is to sun, water, and mechanical wear. We recommend an annual review and, if needed, re-oiling with a new coat. It is important that the wooden parts are cleaned before being oiled (use soap or dishwashing detergent, for example).

If the product has been attacked by algae/black mold, it may need to be treated with Mold Cleaner or Chlorine to remove and bleach the discoloration. Rinse well (do not use a high-pressure washer). Let the wood surface dry. Lightly sand the surfaces to be oiled. Treat 1-3 times with wood oil. Repeat the treatment until the wood oil is no longer absorbed into the surface.

NOTE! It's important to wipe off excess oil about 20 minutes after application. Follow the instructions on the packaging. All outdoor wood is exposed to significant moisture variations due to weather. Untreated wood has greater moisture variation, which leads to swelling and shrinking, resulting in cracking over time. Minor cracks are natural for this type of wood.

Maintenance-Hot-Dip Galvanized Steel

Hot-dip galvanized steel and powder-coated steel products are essentially maintenance-free, but regular cleaning is recommended. Products that are newly galvanized may have some white rust due to condensation and moisture. This has no impact on the product's lifespan and will be washed away under normal weather conditions. All steel details can be pressure-washed, but do not use chemicals. If you wish to freshen up painted surfaces after a few years, use a standard paint care product.

Repairs and Service

Contact us for repairs, service, and spare parts.

Glänta Design

Kvarnholmsvägen 77
131 33 Nacka, Sweden
+46 (0) 70 731 38 13
info@glantadesign.com
www.glantadesign.com