



Click or scan



### Product description

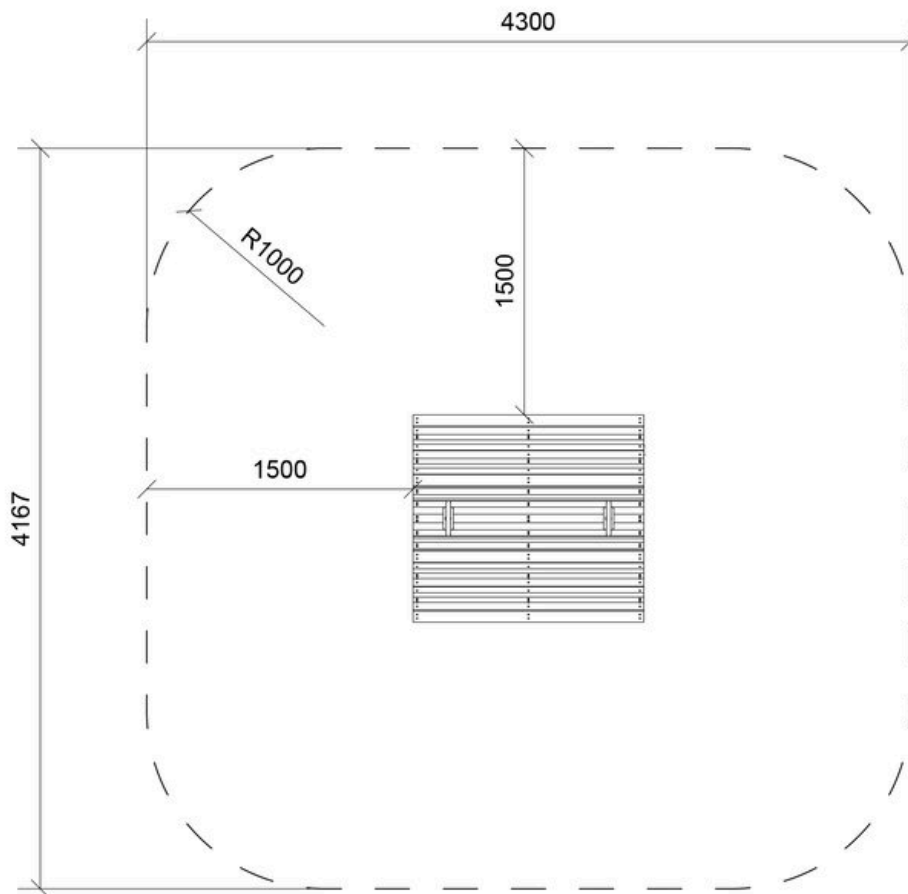
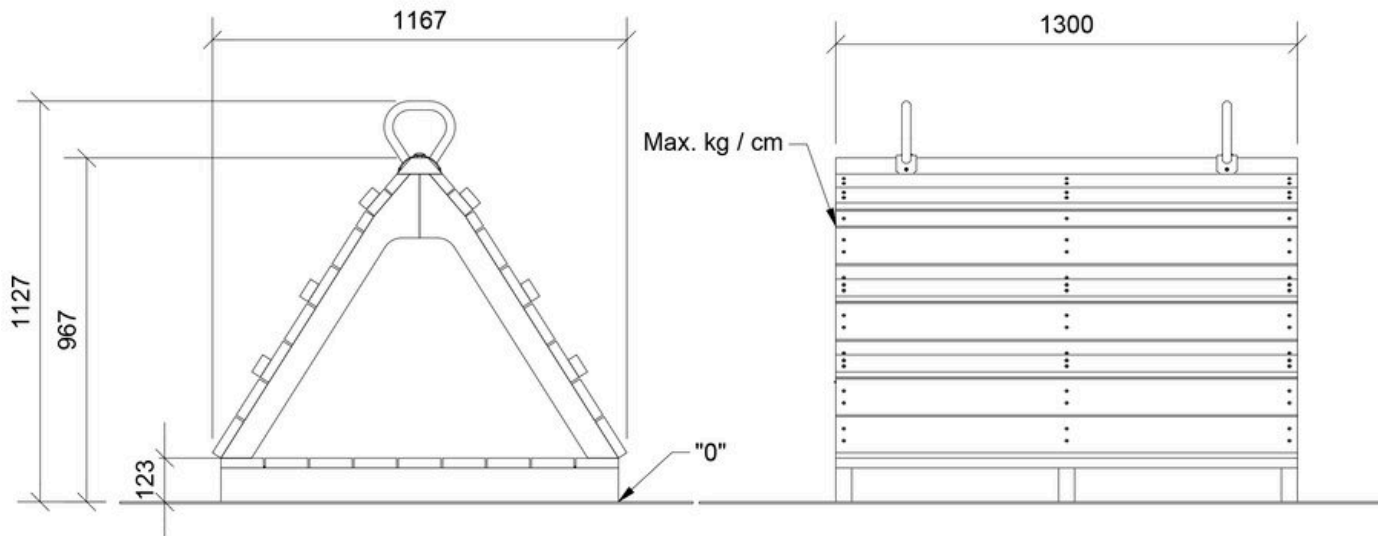


Age	3+
Number of users	2
Color	Uncolored
Primary materials	Heartwood pine, Douglas
Installation	No anchoring
Fall height	1 m
Dimensions	1,2 x 1,3 x 1,13 m
Fall area	
Minimum area	4,3 x 4,16 x 1,13 m

Variation	Color	Installation
LE20490	Chestnut	No anchoring

### Warranty ([Terms and conditions](#))

Heartwood pine	10 years
Douglas	10 years



Assembly time  
**1 hours**



Installation  
**No anchoring**



Largest part  
**130 x 116 x 113 cm**



Number of installers  
**2**



Concrete



Heaviest part  
**96 kg**