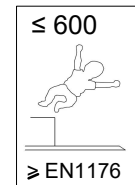
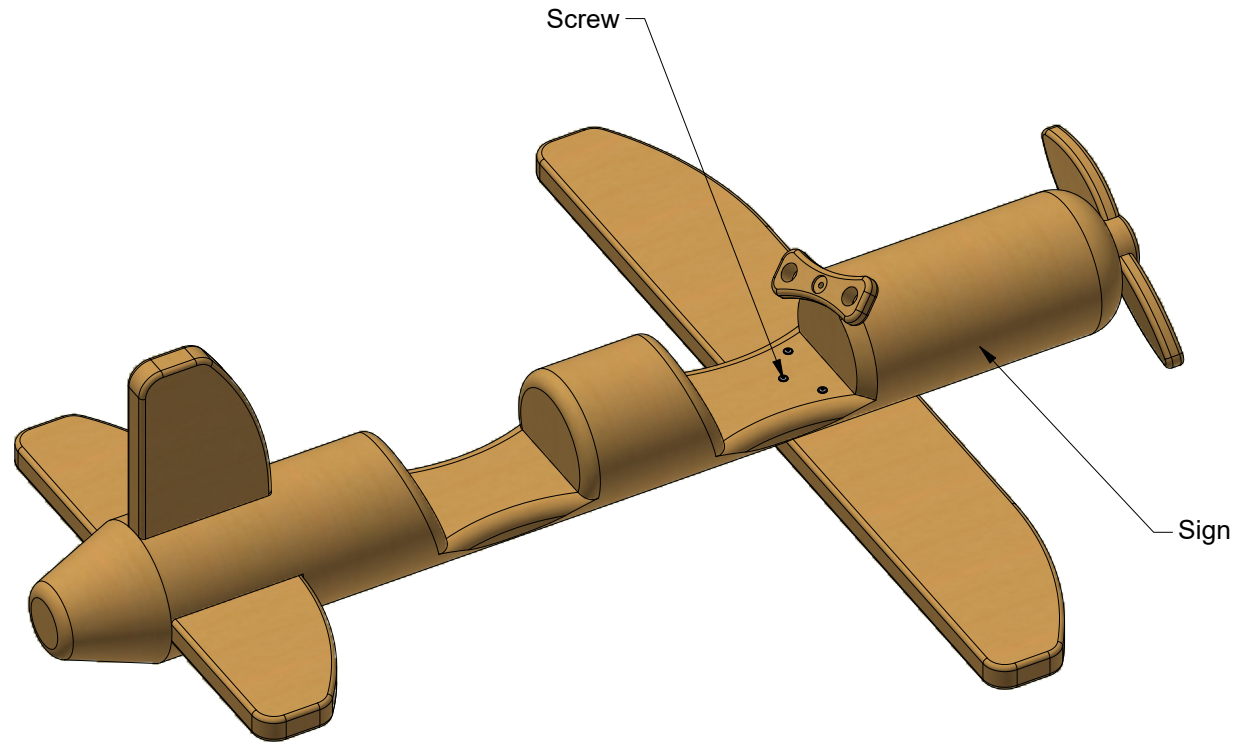


This drawing is the property of NORNA-PLAYGROUNDS and pursuant to current legislation may not be copied, transferred to or used by any third party. Should this drawing be used, a fee of 10% of the assumed contract price will be charged



NORNA PLAYGROUNDS					
DESCRIPTION Flyver					
PART NUMBER LE43500				MATERIAL	
CREATION DATE 19-01-2011	AUTHOR tj	REVISION A	REVISION DATE 21-12-2022	REVISION BY hs	SHEET 1/2



This drawing is the property of NORNA-PLAYGROUNDS and pursuant to current legislation may not be copied, transferred to or used by any third party. Should this drawing be used, a fee of 10% of the assumed contract price will be charged

NORNA PLAYGROUNDS					
DESCRIPTION Flyver					
PART NUMBER LE43500				MATERIAL	
CREATION DATE 19-01-2011	AUTHOR tj	REVISION A	REVISION DATE 21-12-2022	REVISION BY hs	SHEET 2/2