



Click or scan



### Product description

The Beam Bridge, featuring log treads (beams), invites children to test their balance by crossing this challenging structure.

The bridge comprises a set of beams secured and connected with ropes, alongside a railing, resembling a suspension bridge. Its construction presents a balance challenge as the beams move with each step. The fixed rails provide the child with security and support during the journey across the bridge. The Beam Bridge not only sparks imagination but also helps in developing a child's motor coordination and balancing skills.

Multiple children can play on the bridge simultaneously, encouraging social interaction through playful teamwork, sharing, and planning.

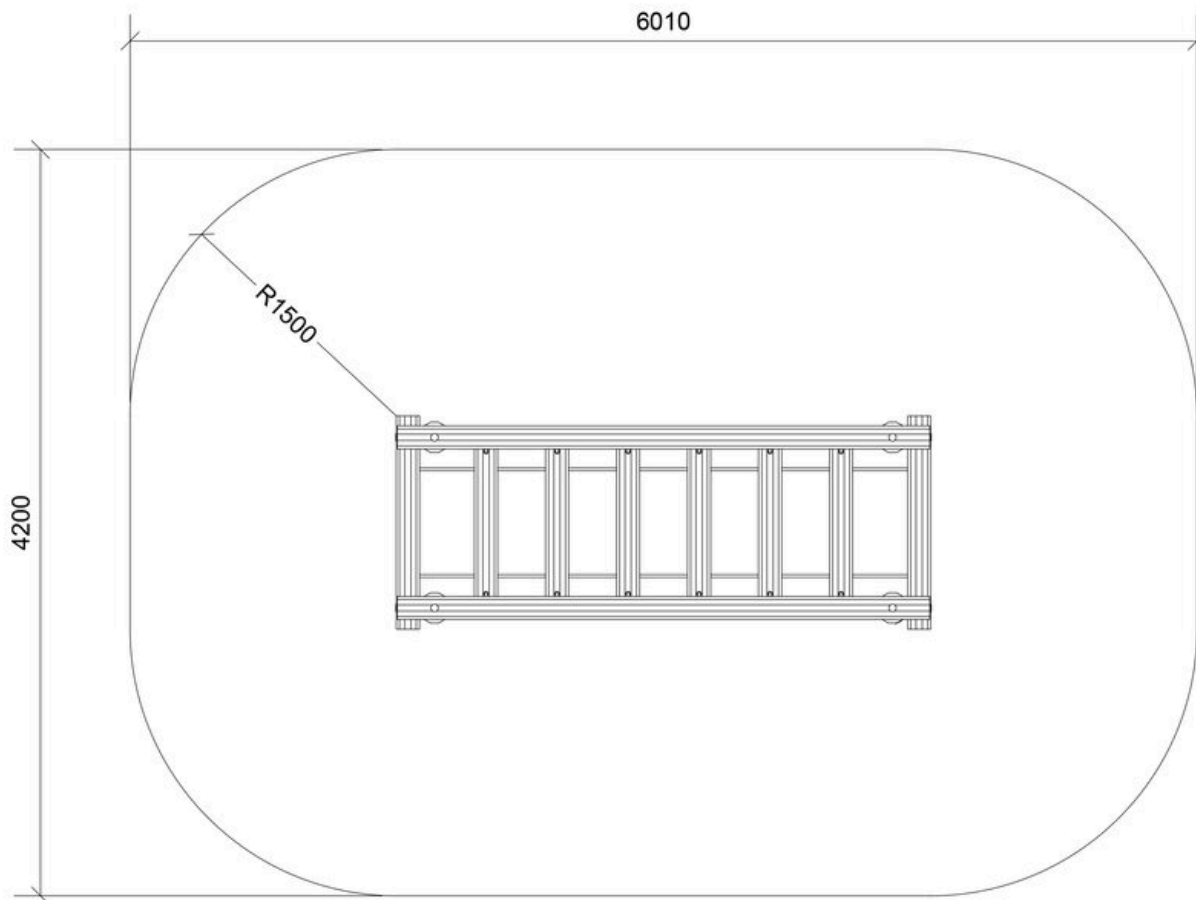
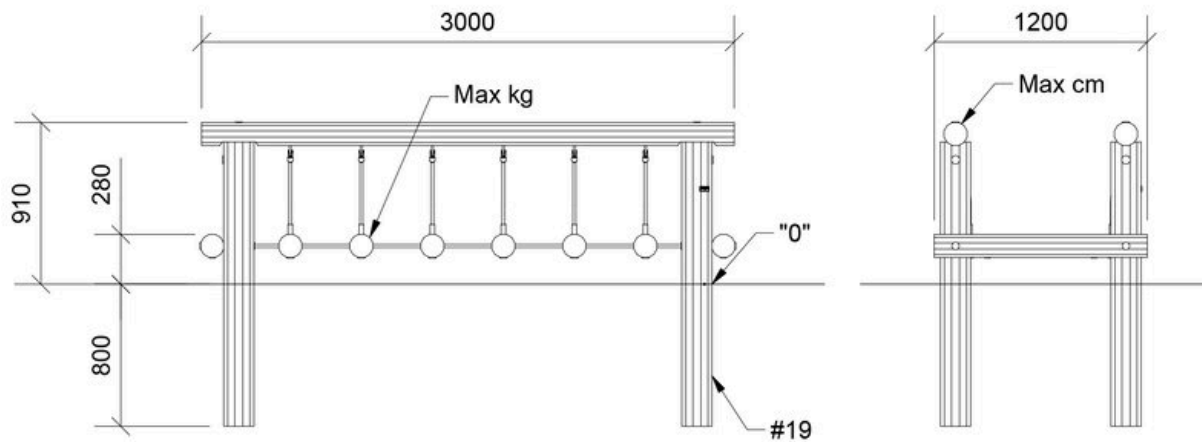


Age	4+
Number of users	3
Color	Uncolored
Primary materials	Robinia, Taifun
Installation	Robinia in ground
Fall height	0,3 m
Dimensions	3 x 1,2 x 0,9 m
Fall area	23 m <sup>2</sup>
Minimum area	6 x 4,2 x 0,91 m

Variation	Color	Installation
LE20500	Chestnut	Robinia in ground

### Warranty ([Terms and conditions](#))

Robinia	15 years
Taifun	5 years



Assembly time  
**2 hours**



Installation  
**Robinia in ground**



Largest part  
**Ø12/14 x 300 cm**



Number of installers  
**6**



Concrete  
**0,2 m<sup>3</sup>**



Heaviest part  
**74 kg**