



Click or scan



Product description



Age	4+
-----	----

Number of users	2
-----------------	---

Color	Uncolored
-------	-----------

Primary materials	Robinia, Taifun
-------------------	-----------------

Installation	Robinia in ground
--------------	-------------------

Fall height	0,6 m
-------------	-------

Dimensions	2,8 x 0,2 x 2,1 m
------------	-------------------

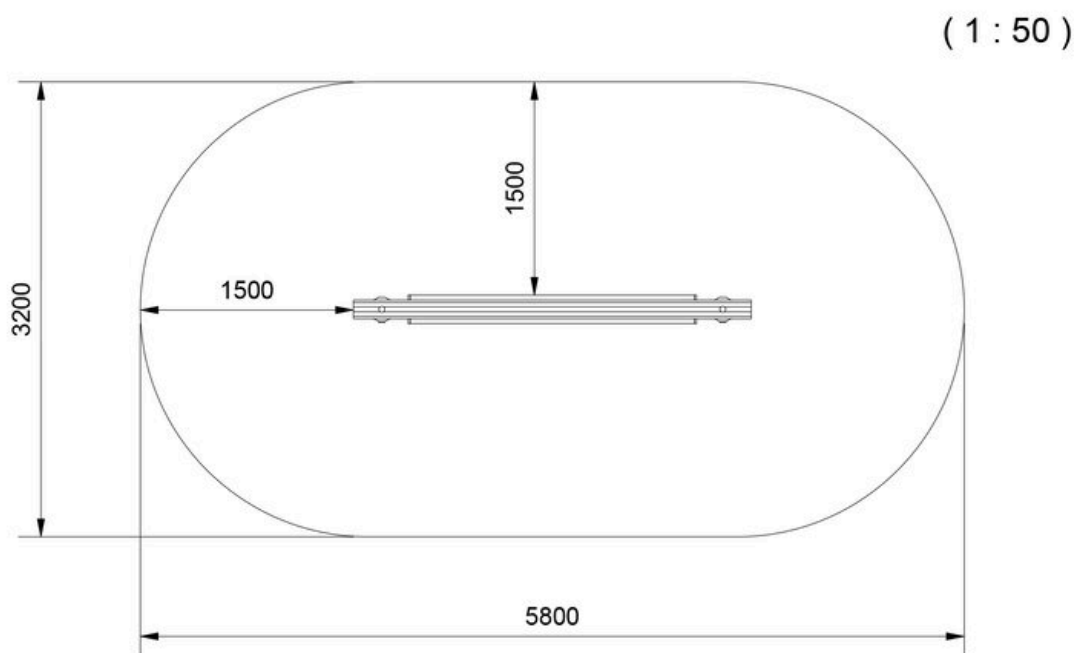
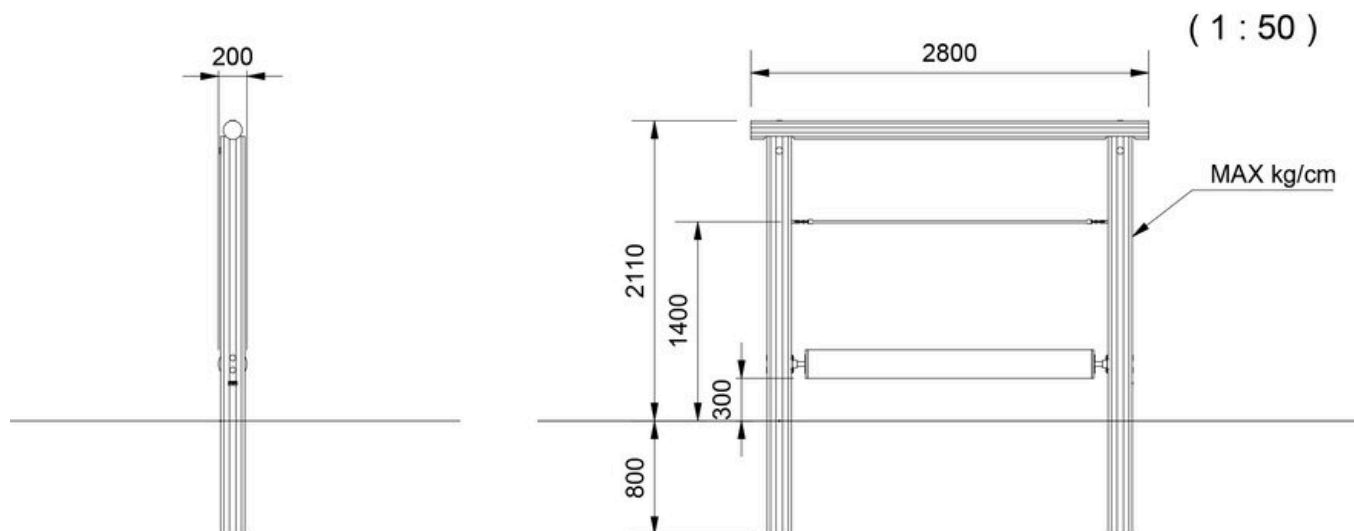
Fall area	16,3 m ²
-----------	---------------------

Minimum area	5,8 x 3,2 x 2,1 m
--------------	-------------------

Variation	Color	Installation
LE20513	Chestnut	Robinia in ground

Warranty ([Terms and conditions](#))

Robinia	15 years
Taifun	5 years



Assembly time
4,5 hours



Installation
Robinia in ground



Largest part
280 x 21 cm



Number of installers
2



Concrete
0,07 m³



Heaviest part
95 kg