

Click or scan



Product description

Experience a dynamic balance play with this Balance Beam on Springs. This play equipment renews the traditional balance beam by adding two strong springs to support the beam. The springs make the beam slightly movable, challenging children's balance and coordination in a fun way. The beam is designed to be robust and safe, making it suitable for children of all ages.

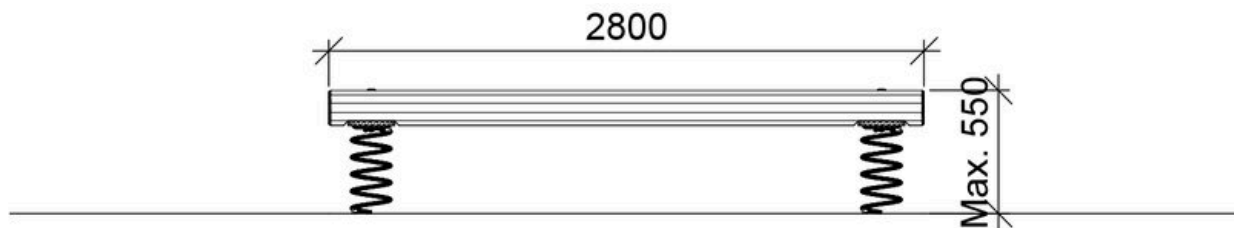


Age	3+
Number of users	2
Color	Uncolored
Primary materials	Robinia, Plywood, Stainless steel
Installation	Cast-in anchors
Fall height	0,6 m
Dimensions	2,8 x x 0,6 m
Fall area	
Minimum area	5,8 x 3,2 x 0,6 m

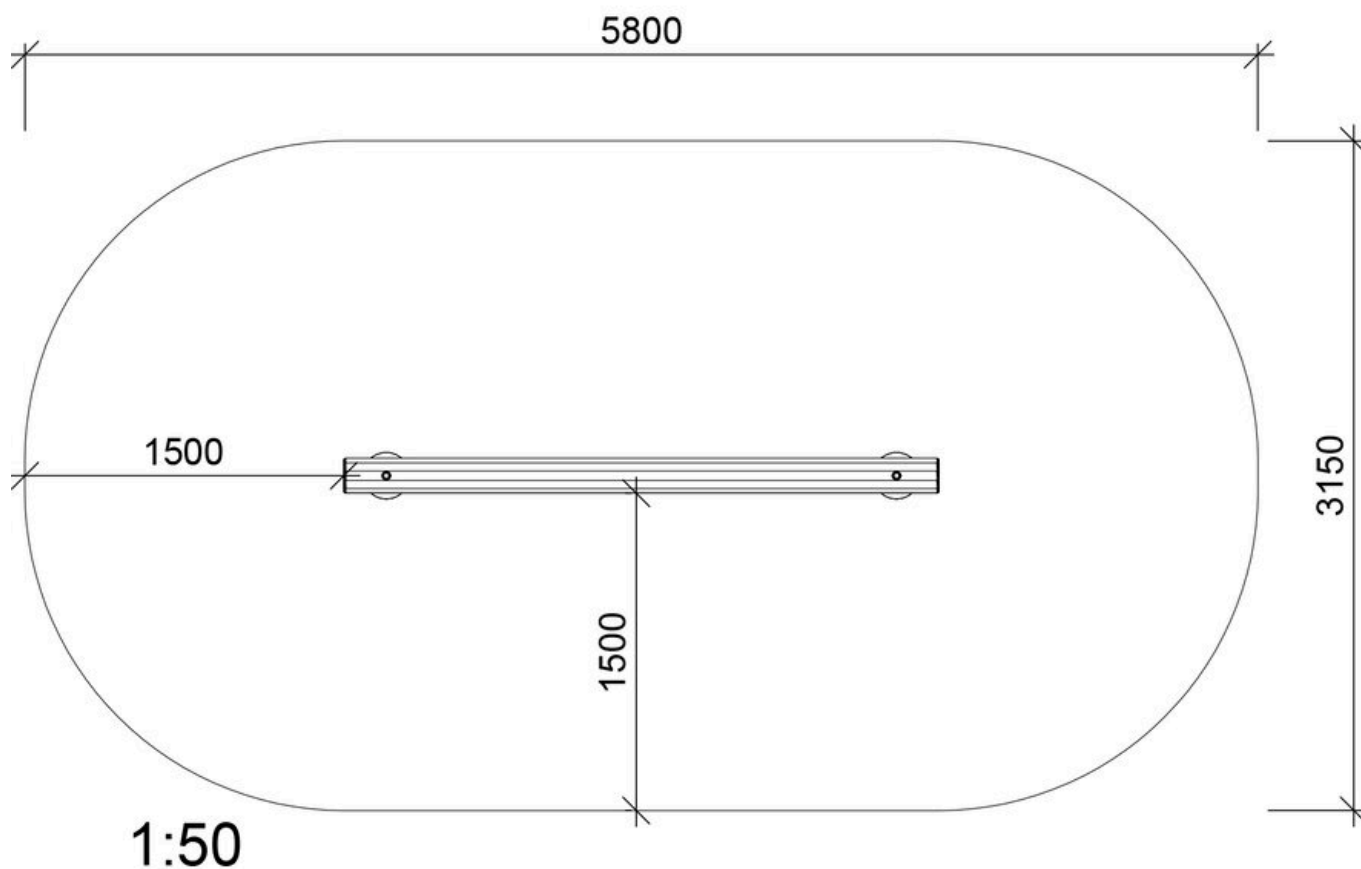
Variation	Color	Installation
LE20531	Chestnut	Cast-in anchors

Warranty ([Terms and conditions](#))

Robinia	15 years
Plywood	5 years
Stainless steel	25 years



1:50



1:50



Assembly time

Installation
Cast-in anchors

Largest part

Number of installers
2

Concrete



Heaviest part