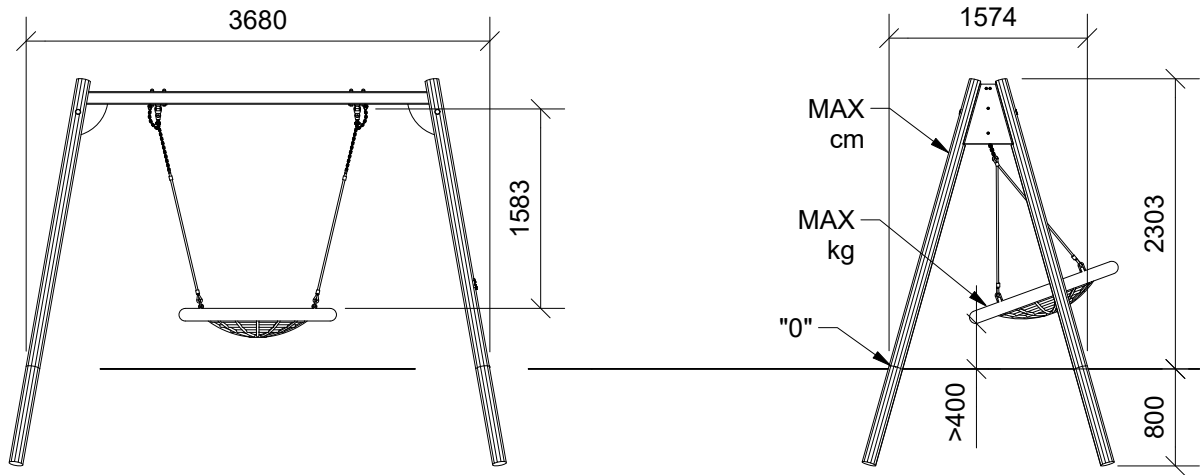
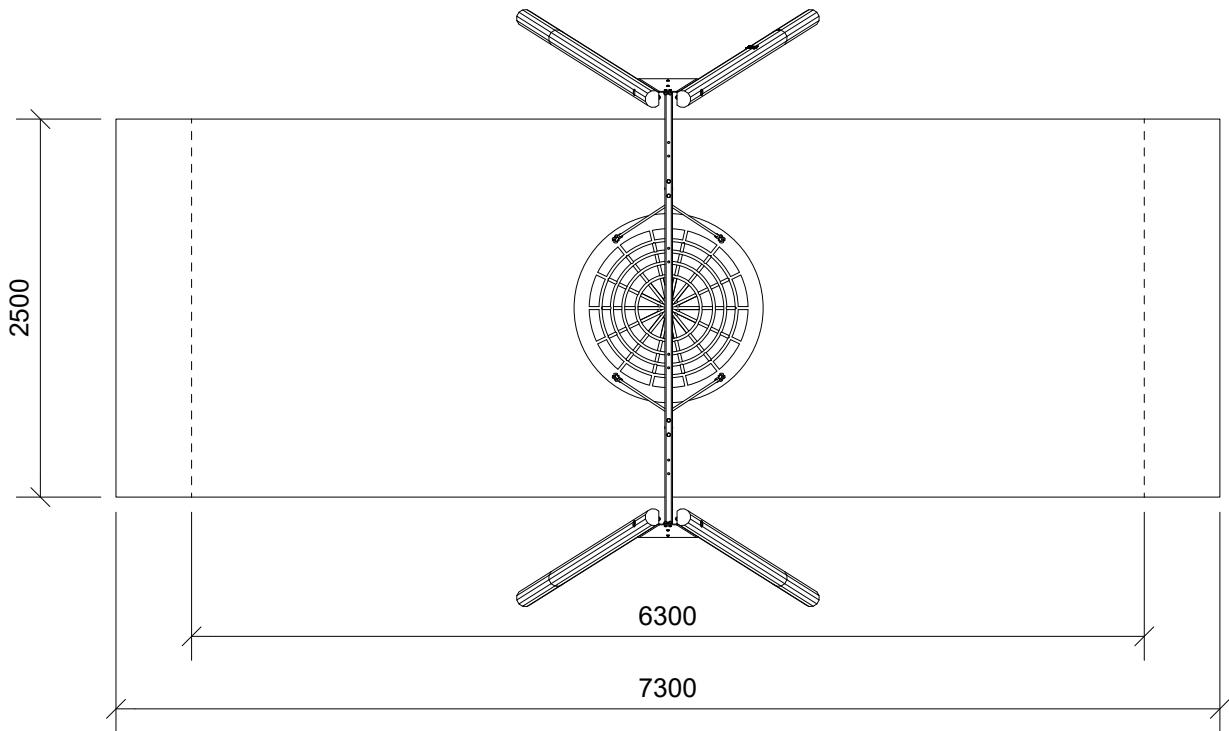


(1/60)



(1/50)



2



6t



18,3m<sup>3</sup>



7,3x2,5x2,3m



~215 kg



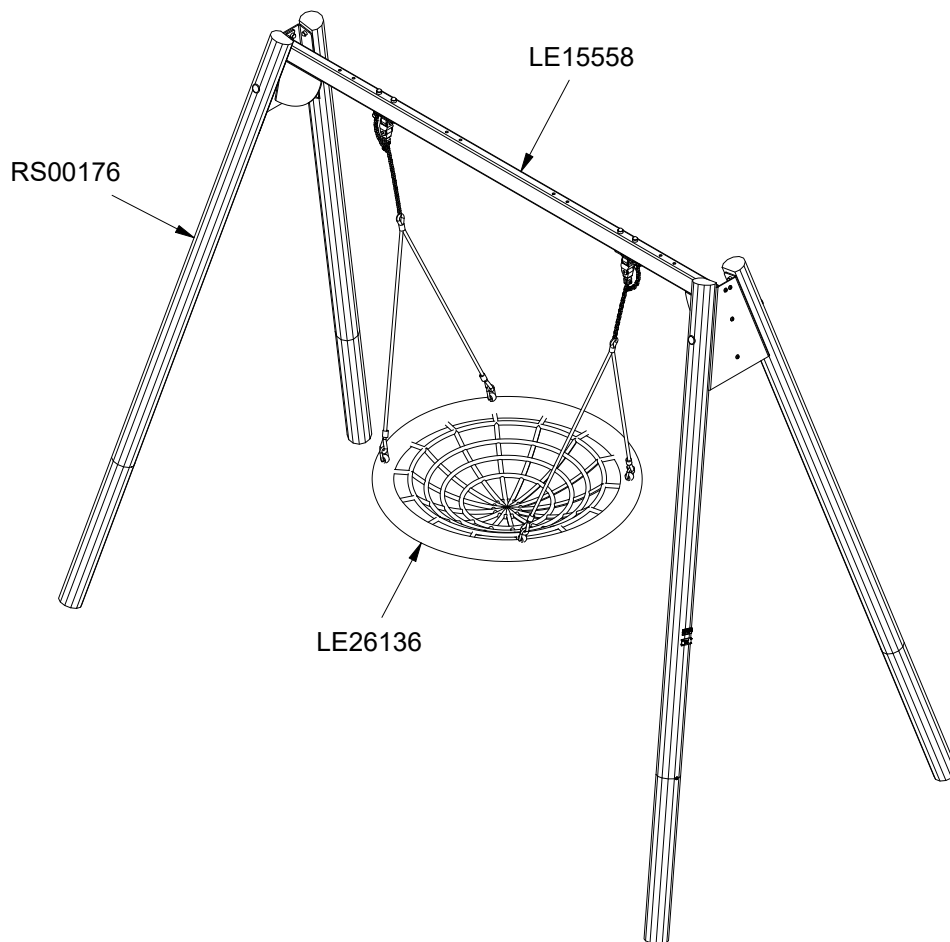
~0,15m<sup>3</sup>



Ø12x320cm

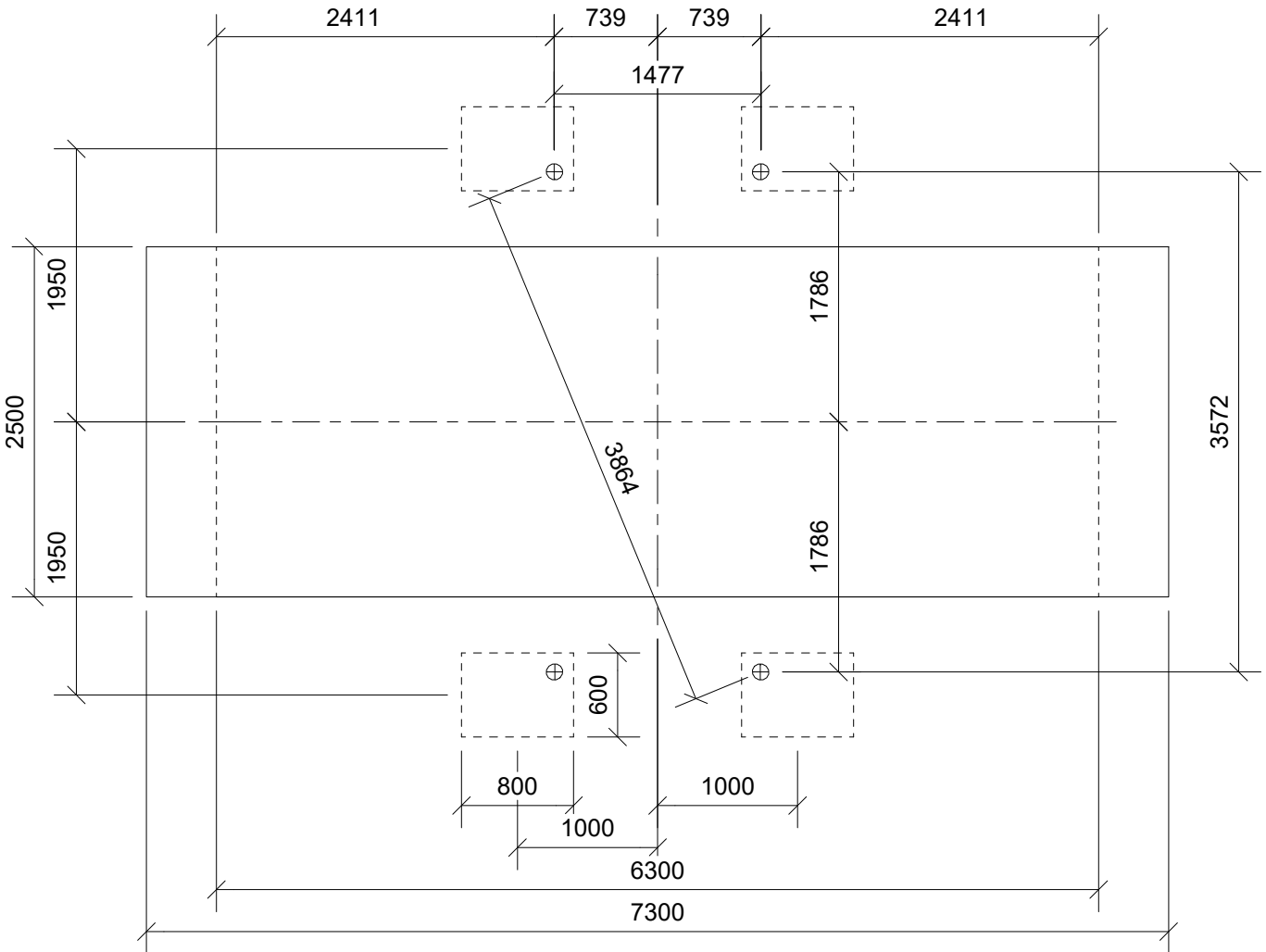
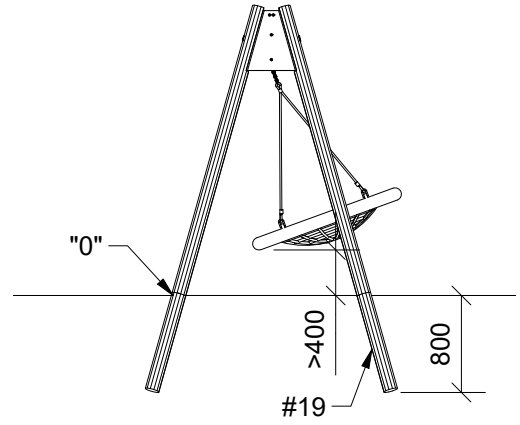
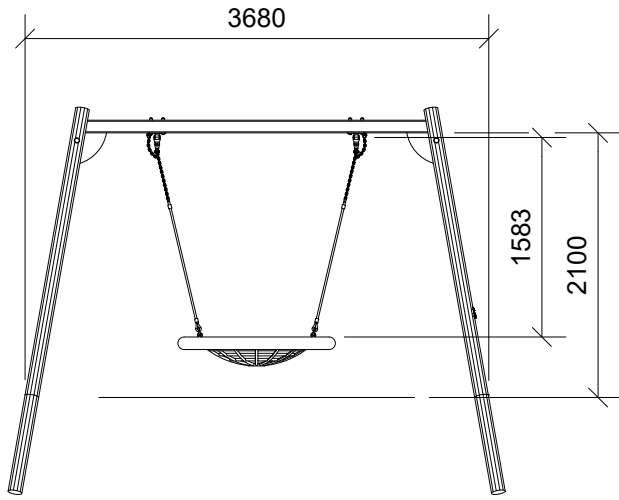


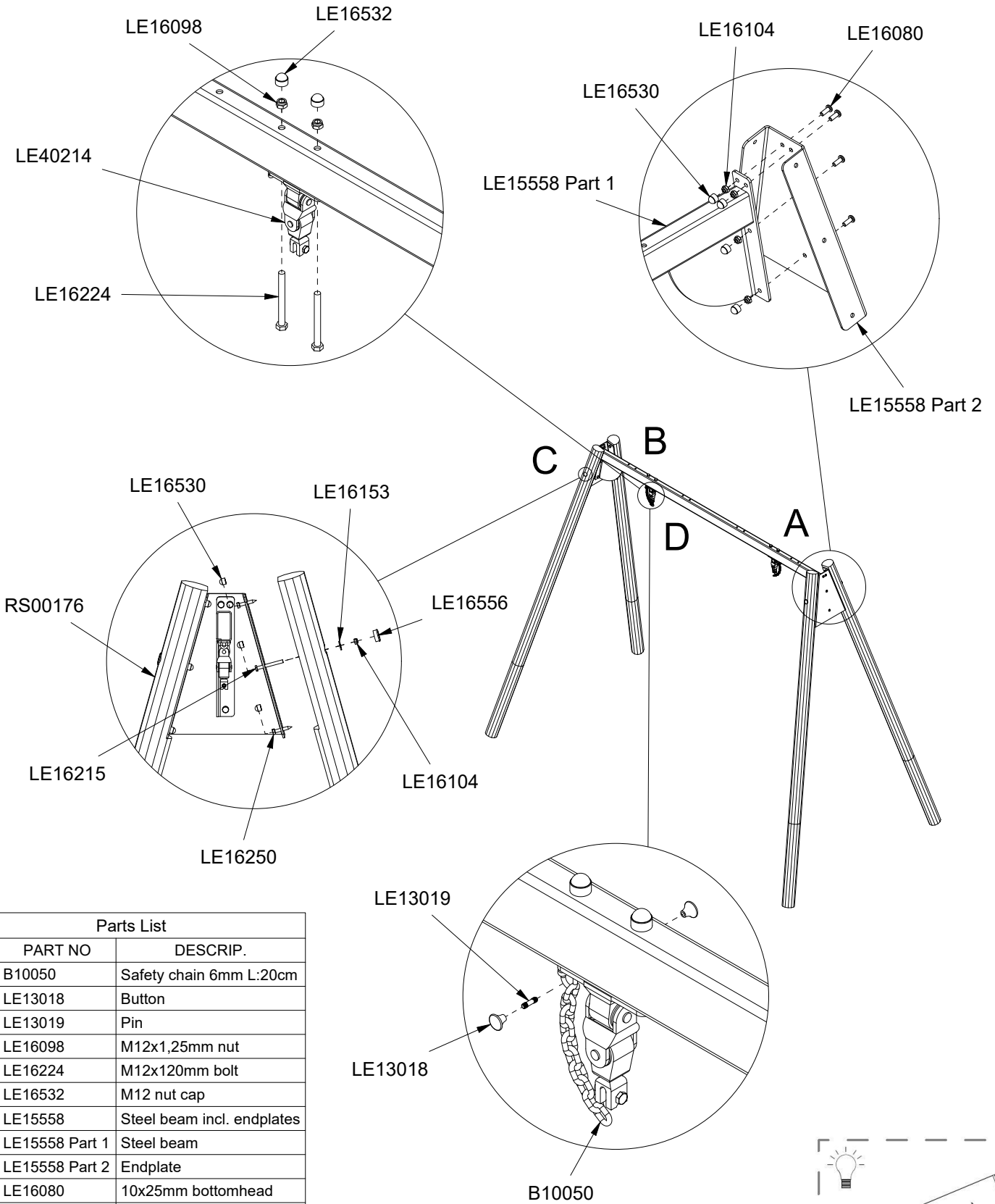
49kg



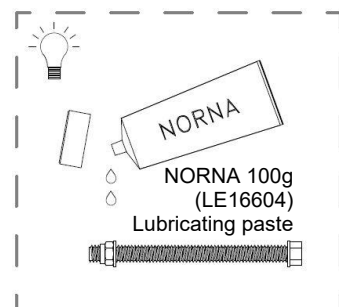
## Parts List

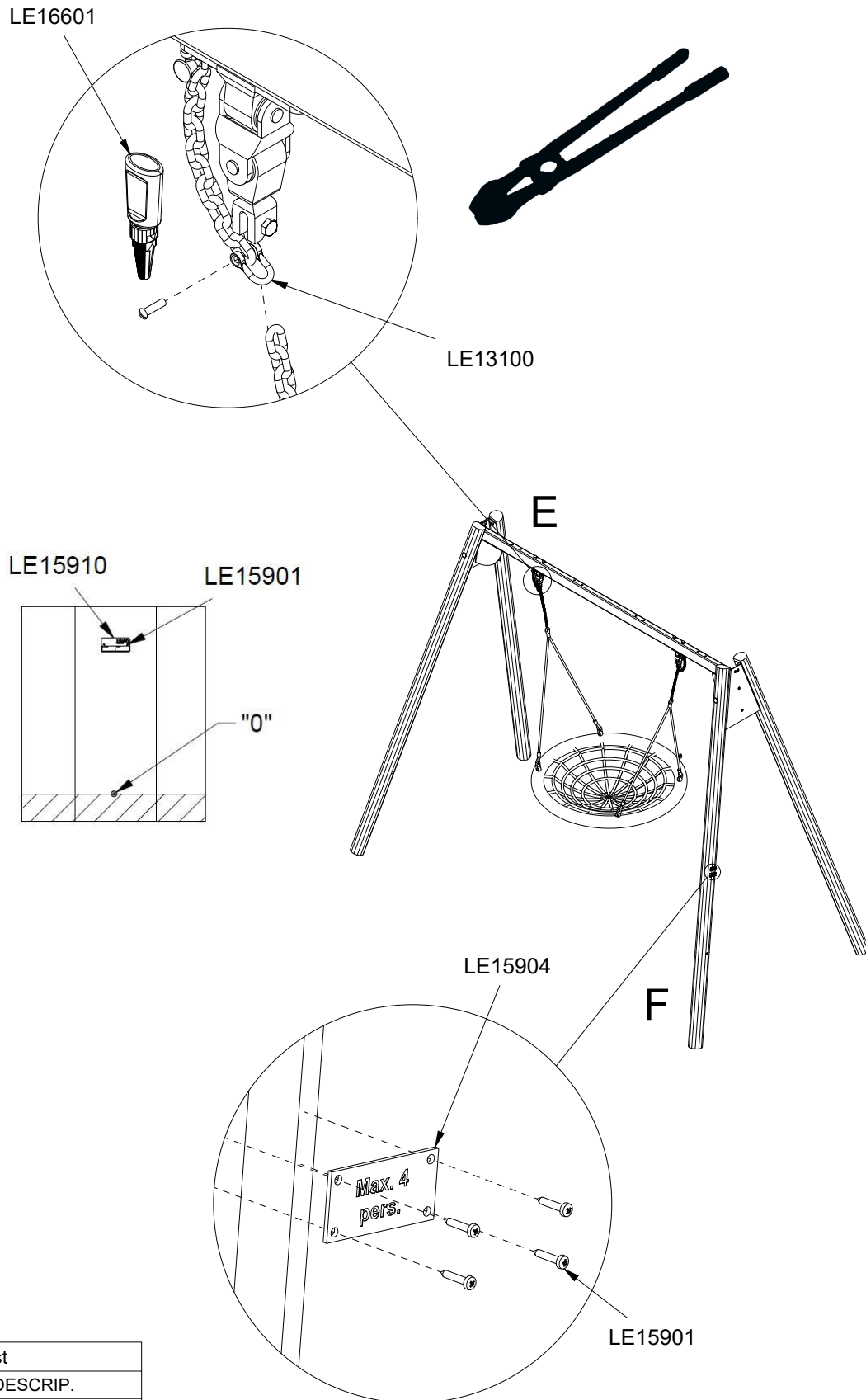
QTY	PART NO	DESCRIP.
4	RS00176	Ø100-120x3200mm
1	LE15558	Steel beam incl. endplates
1	LE26136	Swing seat basket Ø1250mm





Parts List		
QTY	PART NO	DESCRIP.
2	B10050	Safety chain 6mm L:20cm
4	LE13018	Button
2	LE13019	Pin
4	LE16098	M12x1,25mm nut
4	LE16224	M12x120mm bolt
4	LE16532	M12 nut cap
1	LE15558	Steel beam incl. endplates
1	LE15558 Part 1	Steel beam
2	LE15558 Part 2	Endplate
8	LE16080	10x25mm bottomhead
12	LE16104	M10x1,25mm nut
4	LE16153	M10 - Ø29mm
4	LE16215	M10x90mm bolt
8	LE16250	M10x60mm hex screw
20	LE16530	M10 nut cap
4	LE16556	Ø42/38mm
2	LE40214	Swing Joint





Parts List

QTY	PART NO	DESCRIP.
4	LE13100	Shackle
1	LE15904	Max 4 pers. tag
6	LE15901	3x16, PH
1	LE15910	Name tag
1	LE16601	Loctite 5ml (Glue)