



Click or scan



### Product description

Vandkar i plastik med gummiprop



Age 2+

Number of users

Color

Primary materials Plastic

Installation No anchoring

Fall height

Dimensions 0,61 x 0,61 x 0,42 m

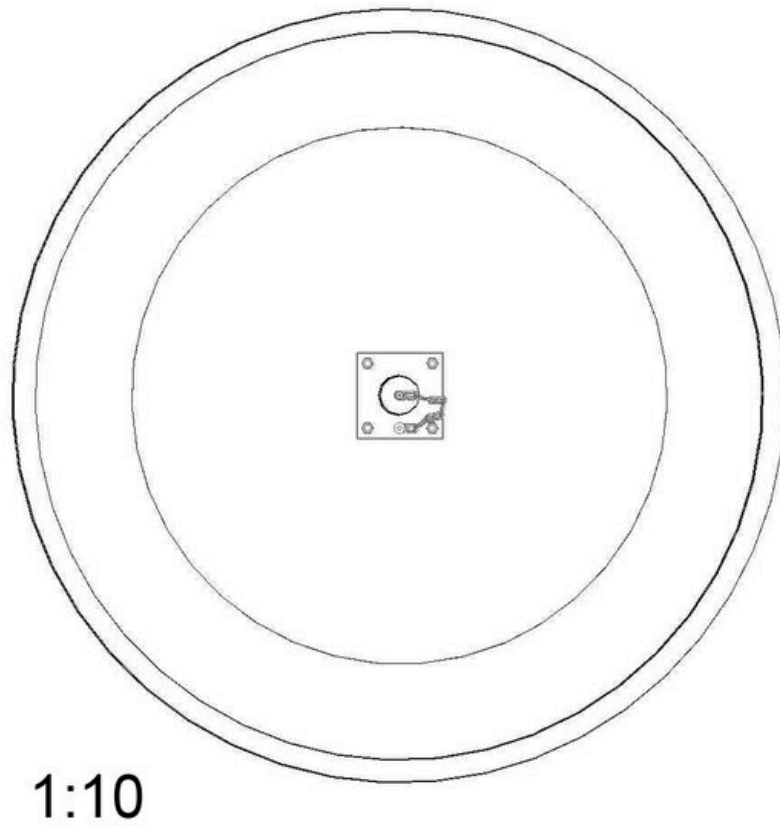
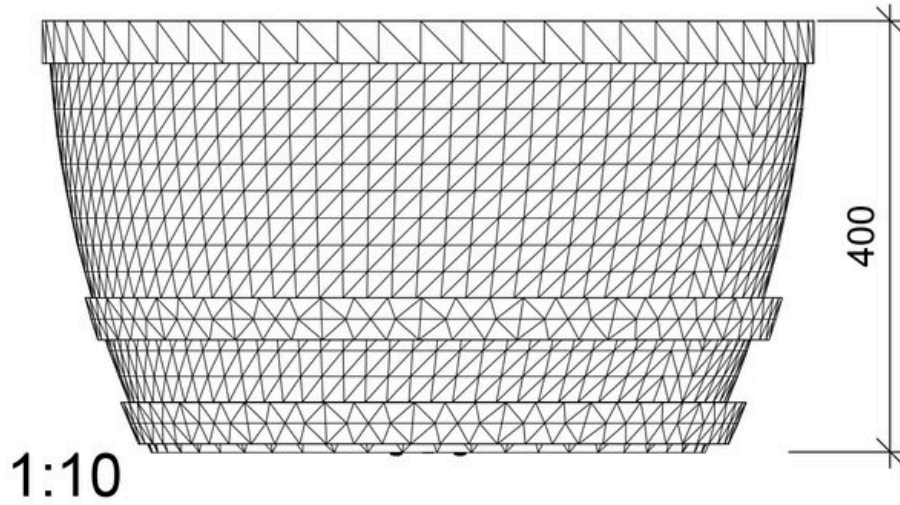
Fall area

Minimum area x x m

Variation	Color	Installation
-----------	-------	--------------

**Warranty** ([Terms and conditions](#))

Plastic 5 years



Assembly time



Installation  
**No anchoring**



Largest part



Number of installers



Concrete



Heaviest part