
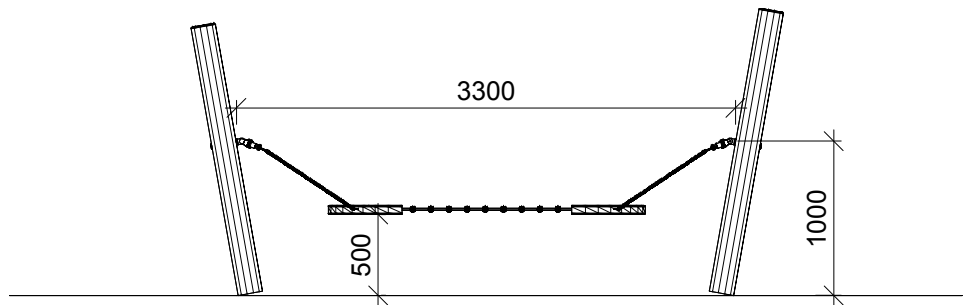
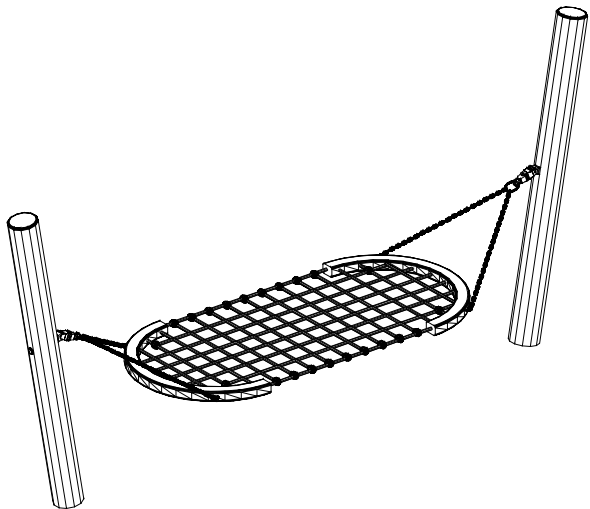


<b>NORLEG</b>	
Robinia hængekøje	
LE 20914	
04.11.2005	REV. 04.05.2015

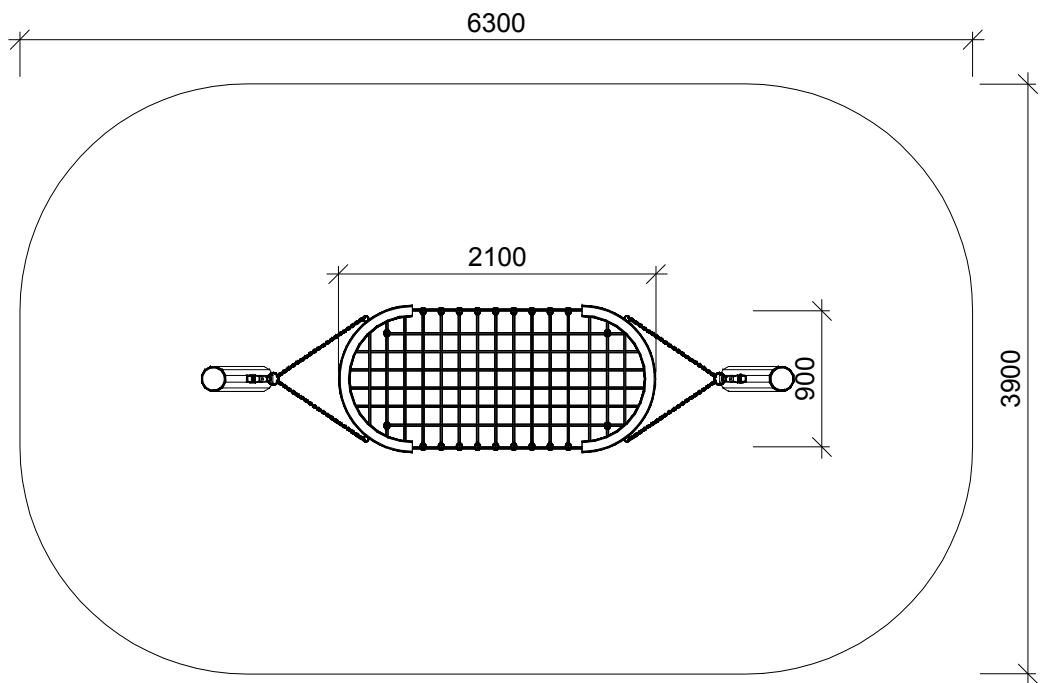
< 600



≥ EN 1176



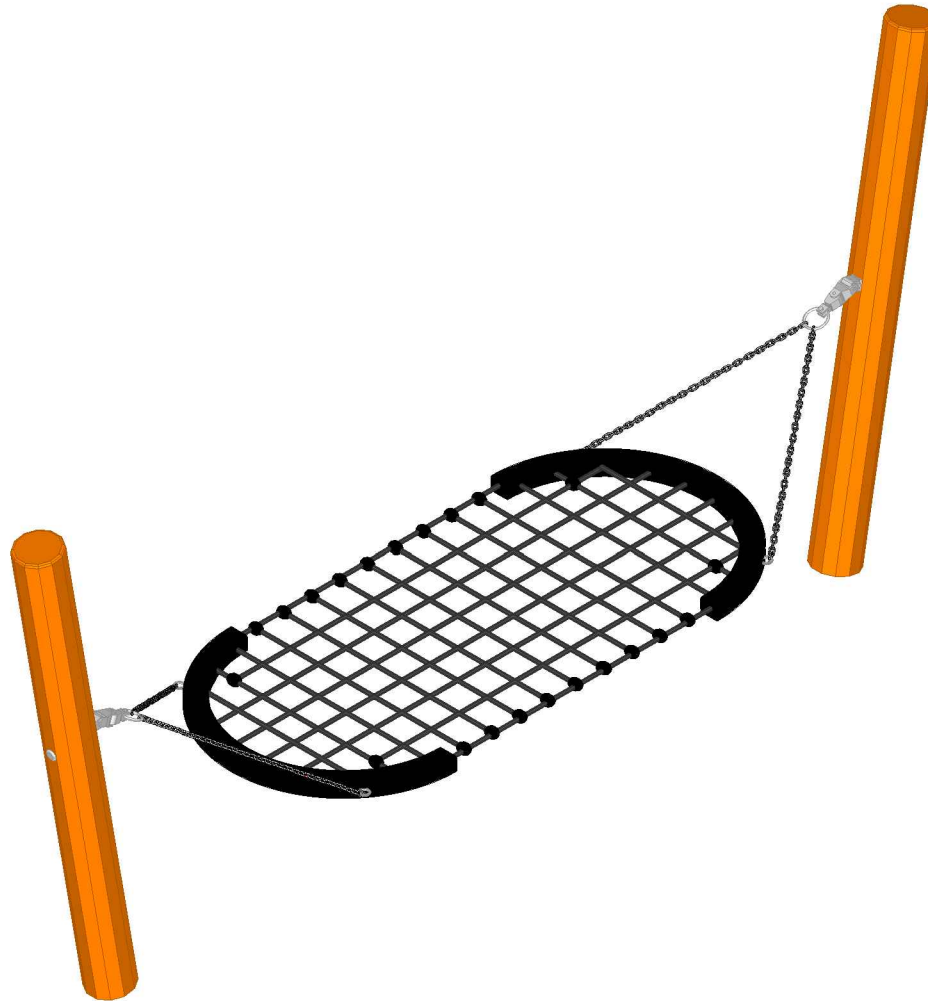
1:50



1:50

This drawing is the property of NORLEG and pursuant to current legislation may not be copied, transferred to or used by any third party. Should this drawing be used, a fee of 10% of the assumed contract price will be charged.


NORLEG - 3D	
Robinia hængekøje	
LE 20914	
04.11.2005	REV. 04.05.2015



This drawing is the property of NORLEG and pursuant to current legislation may not be copied, transferred to or used by any third party. Should this drawing be used, a fee of 10% of the assumed contract price will be charged.

<b>NORLEG</b> - Mont.	
Robinia hængekøje	
LE 20914	
04.11.2005	REV. 04.05.2015

< 600

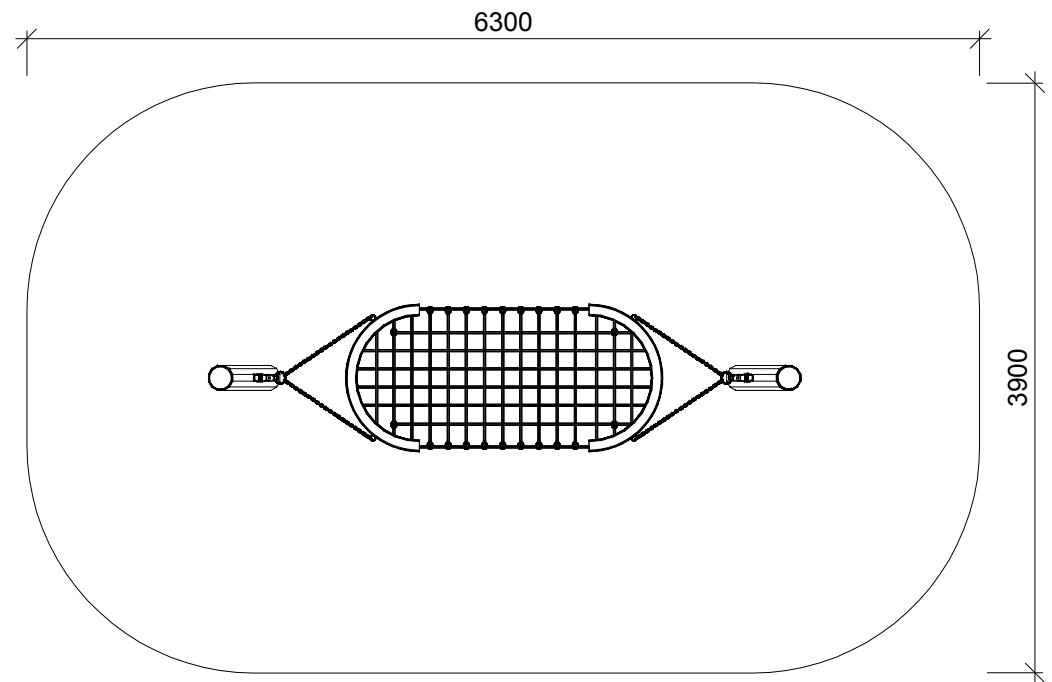
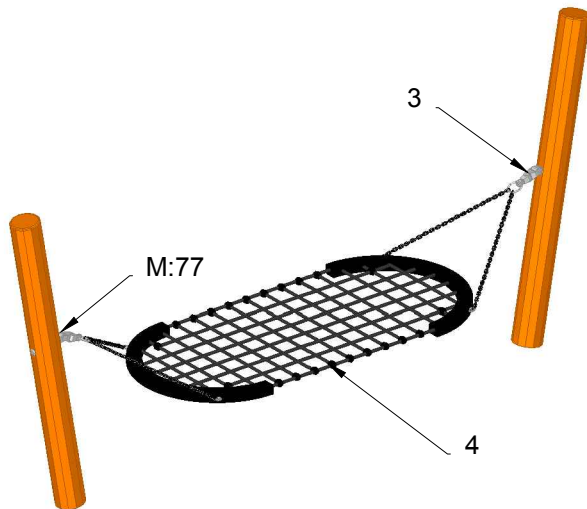
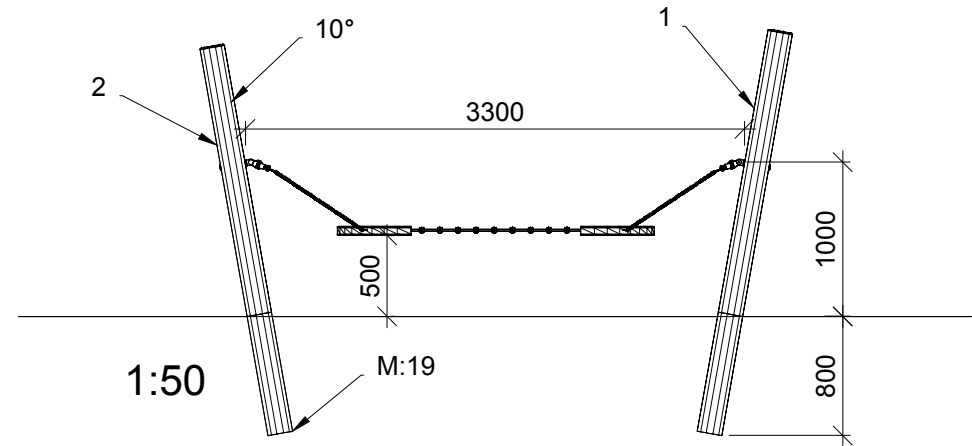


≥ EN 1176

Mont.p. nr.

19  
77

Parts list		
Mrk.	QTY	Part.no
1	1	160-180-2700-z
2	1	160-180-2600-z
3	2	LE 15519
4	1	LE 26102



1:50