

Click or scan



Product description

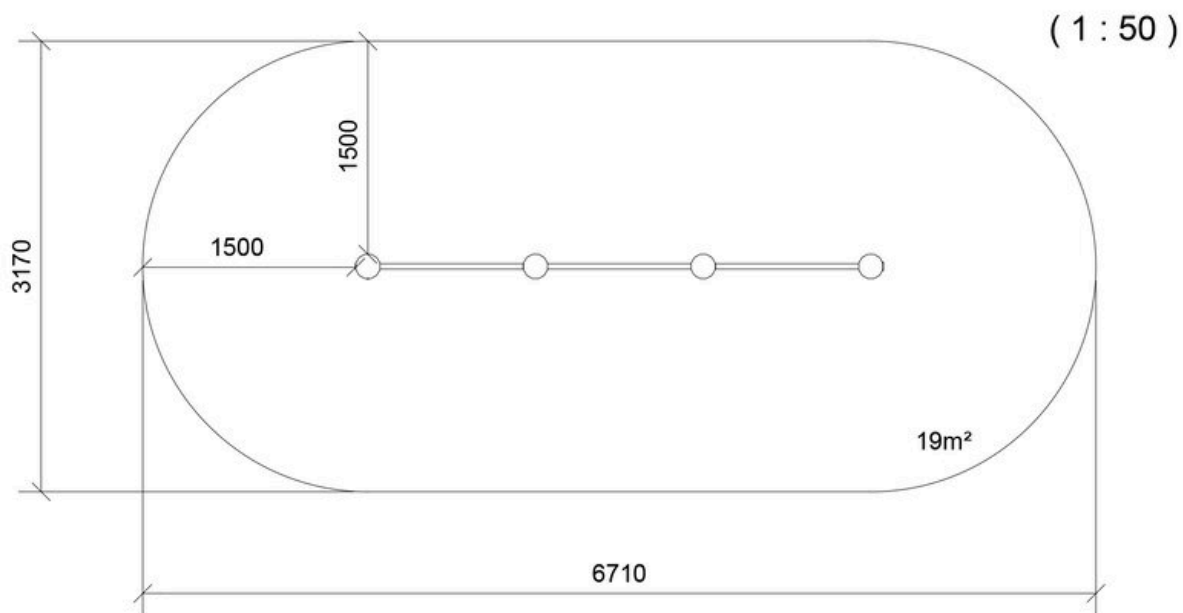
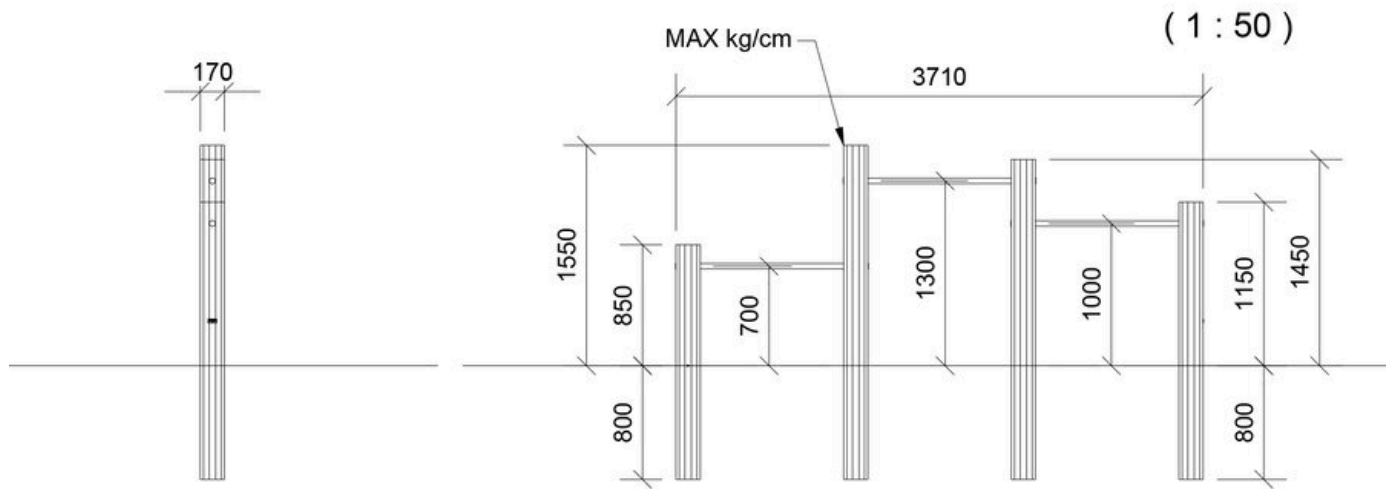


Age	4+
Number of users	3
Color	Uncolored
Primary materials	Robinia, Stainless steel
Installation	Robinia in ground
Fall height	1,3 m
Dimensions	3,7 x 0,2 x 1,6 m
Fall area	19 m ²
Minimum area	6,7 x 3,2 x 1,6 m

Variation	Color	Installation
LE20536	Chestnut	Robinia in ground

Warranty ([Terms and conditions](#))

Robinia	15 years
Stainless steel	25 years



Assembly time
5,5 hours



Installation
Robinia in ground



Largest part
Ø18 x 235 cm



Number of installers
2



Concrete
0,15 m³



Heaviest part
55 kg