



Product description

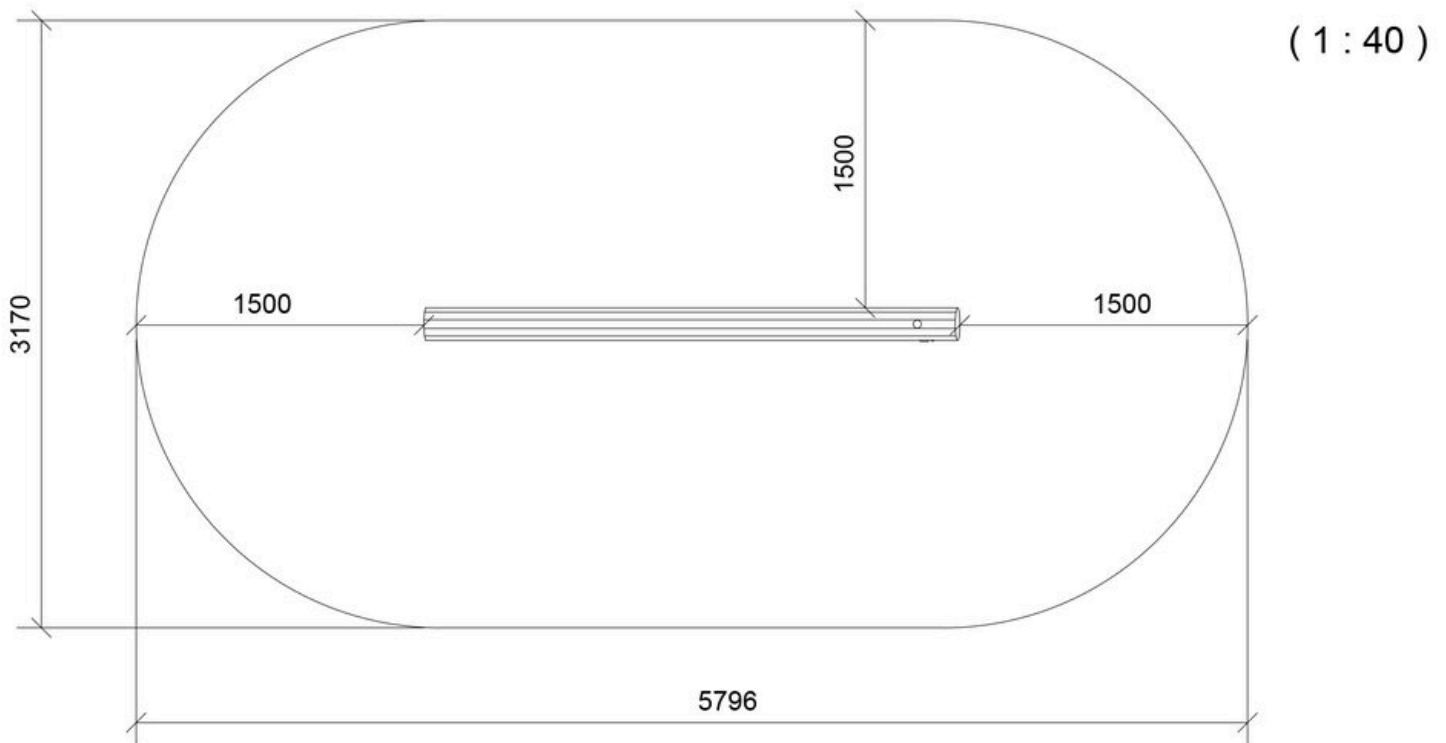
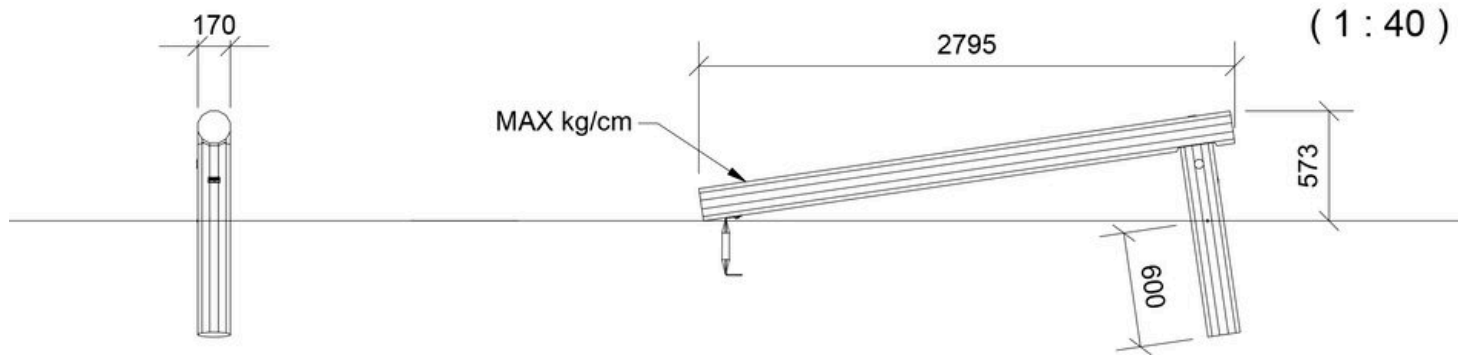
Explore the art of balance with this sturdy inclined balance beam. This variation of the traditional balance beam allows children to develop their motor skills and balance as they navigate up and down the beam's inclined surface, adding an extra challenge and dimension to play.



Age	3+
Number of users	2
Color	Uncolored
Primary materials	Robinia
Installation	Robinia in ground
Fall height	0,6 m
Dimensions	2,8 x 0,2 x 0,6 m
Fall area	16,2 m ²
Minimum area	5,8 x 3,2 x 0,6 m

Variation	Color	Installation
LE20530	Chestnut	Robinia in ground

Warranty (Terms and conditions)	
Robinia	15 years



Assembly time
2,5 hours



Installation
Robinia in ground



Largest part
Ø16/18 x 280 cm



Number of installers
2



Concrete
0,07 m³



Heaviest part
65 kg