
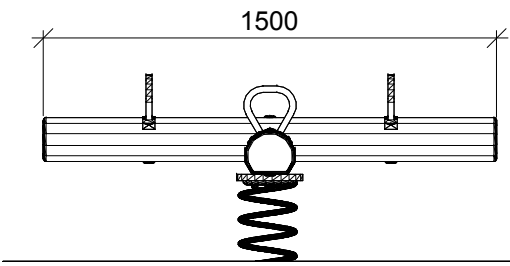


NORLEG	
Robinia krydsvippe	
LE 20434	
27.11.2015	REV. -

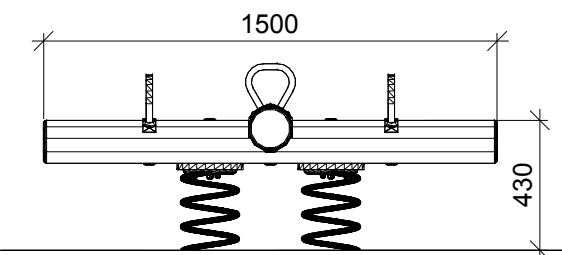
< 430



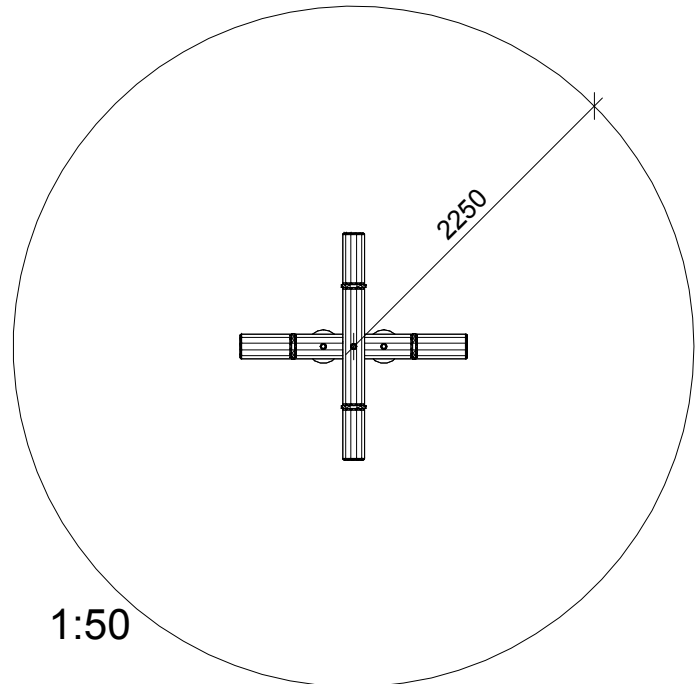
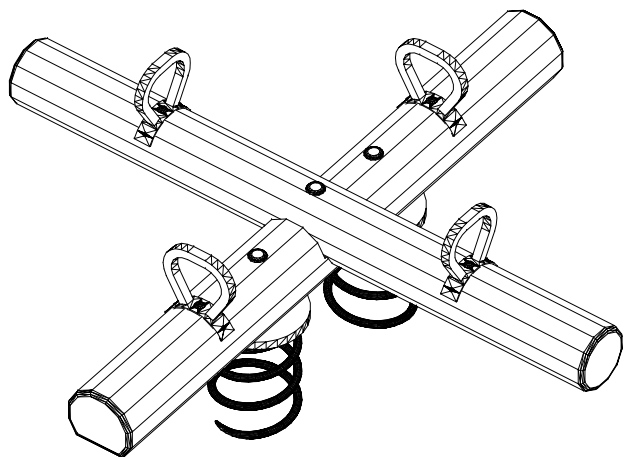
≥ EN 1176



1:25



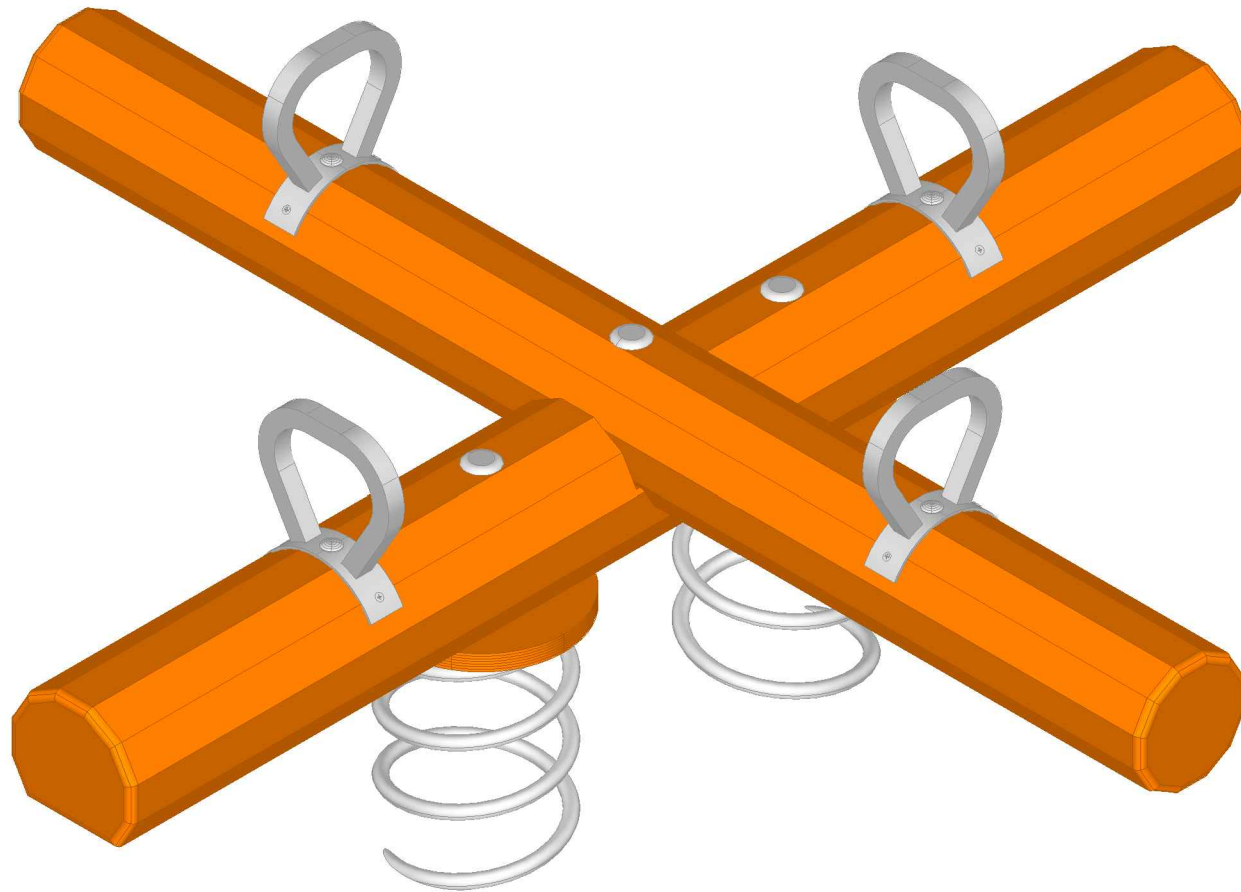
1:25



1:50

This drawing is the property of NORLEG and pursuant to current legislation may not be copied, transferred to or used by any third party. Should this drawing be used, a fee of 10% of the assumed contract price will be charged.


NORLEG - 3D	
Robinia krydsvippe	
LE 20434	
27.11.2015	REV. -



This drawing is the property of NORLEG and pursuant to current legislation may not be copied, transferred to or used by any third party. Should this drawing be used, a fee of 10% of the assumed contract price will be charged.

NORLEG - Mont.	
Robinia krydsvippe	
LE 20434	
27.11.2015	REV. -

< 430



≥ EN 1176

Mont.p. nr.

19

