



Click or scan



### Product description

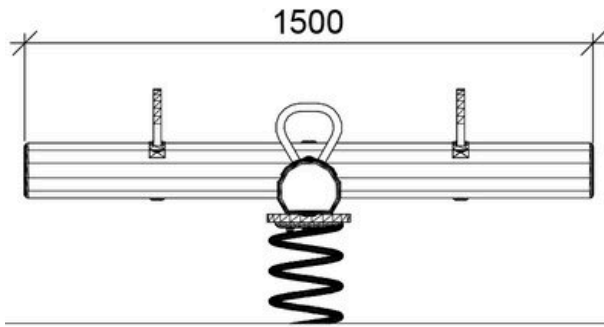


Age	2+
Number of users	4
Color	Uncolored
Primary materials	Robinia, Plywood, Stainless steel, Galvanised steel
Installation	Cast-in anchors
Fall height	0,43 m
Dimensions	1,5 x x 0,43 m
Fall area	
Minimum area	x x m

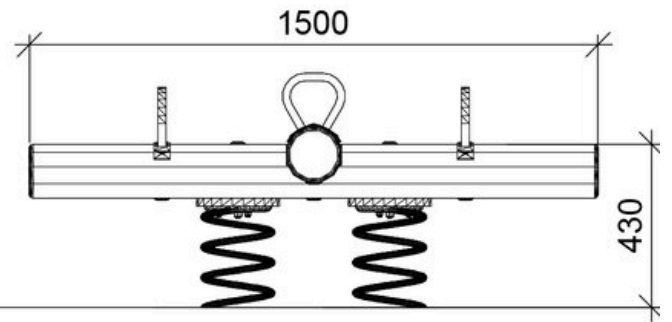
Variation	Color	Installation
LE20434	Chestnut	Cast-in anchors

### Warranty ([Terms and conditions](#))

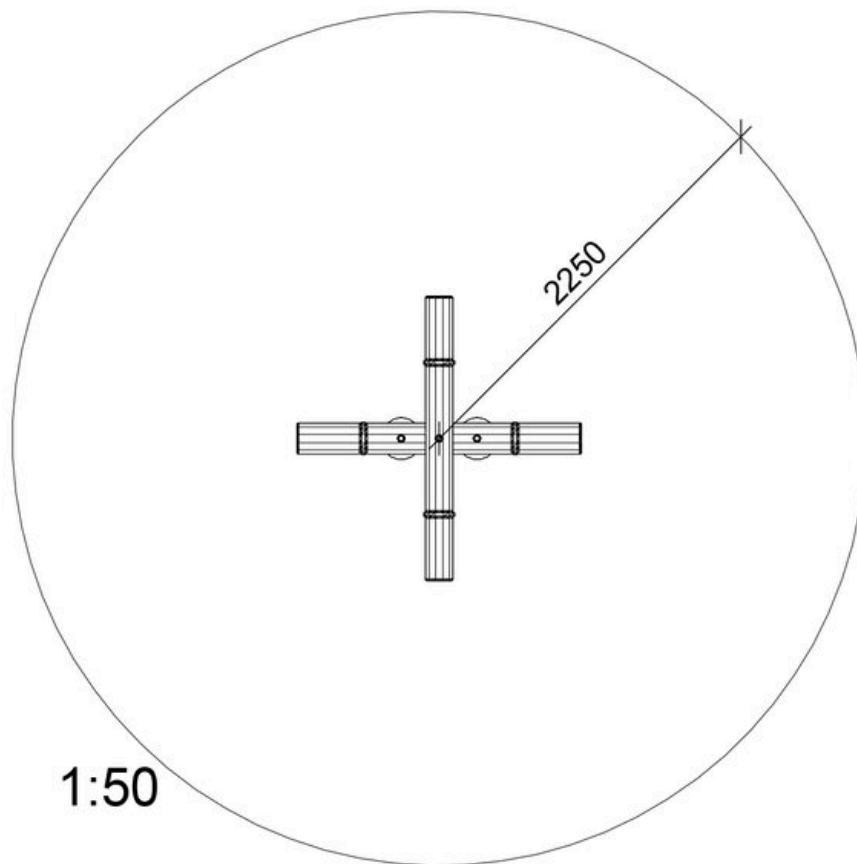
Robinia	15 years
Plywood	5 years
Stainless steel	25 years
Galvanised steel	25 years



1:25



1:25



1:50



Assembly time

Installation  
**Cast-in anchors**

Largest part



Number of installers



Concrete



Heaviest part