



Click or scan



Product description

The Balance Posts are yet another classic piece of equipment that invites children to hop and play "the floor is lava". While playing on the posts, children train their balance.

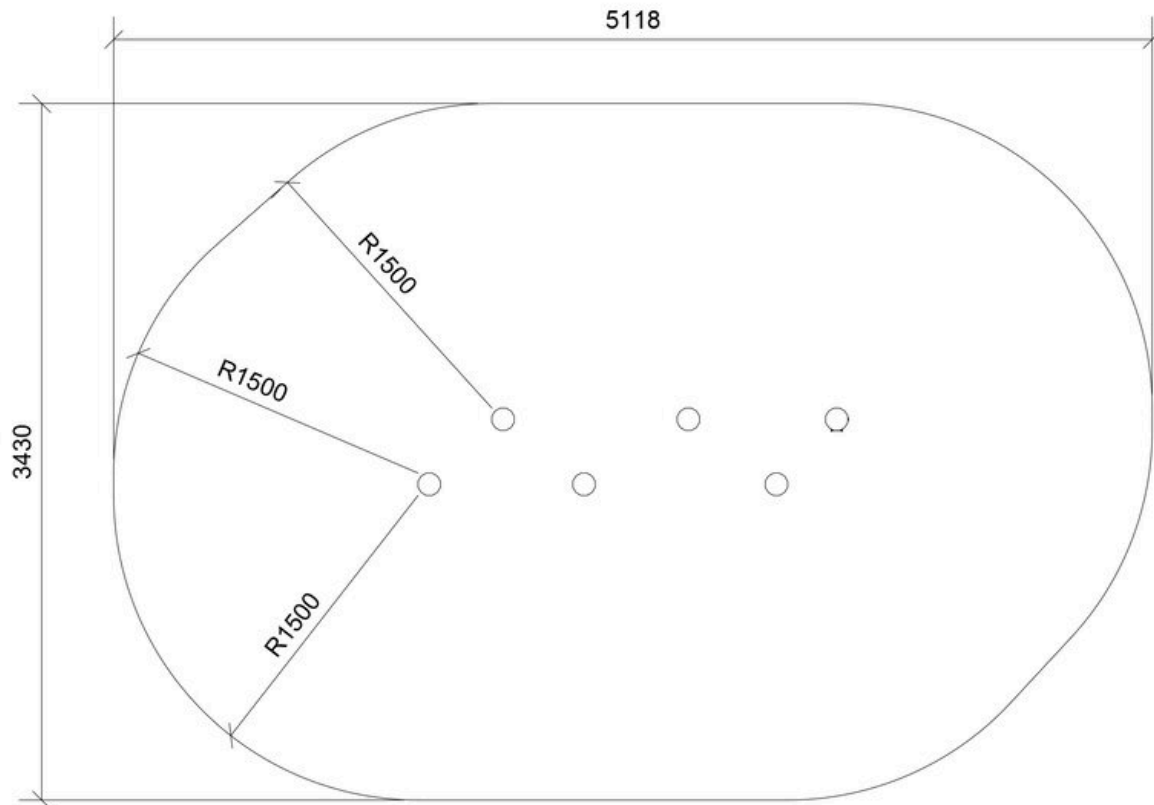
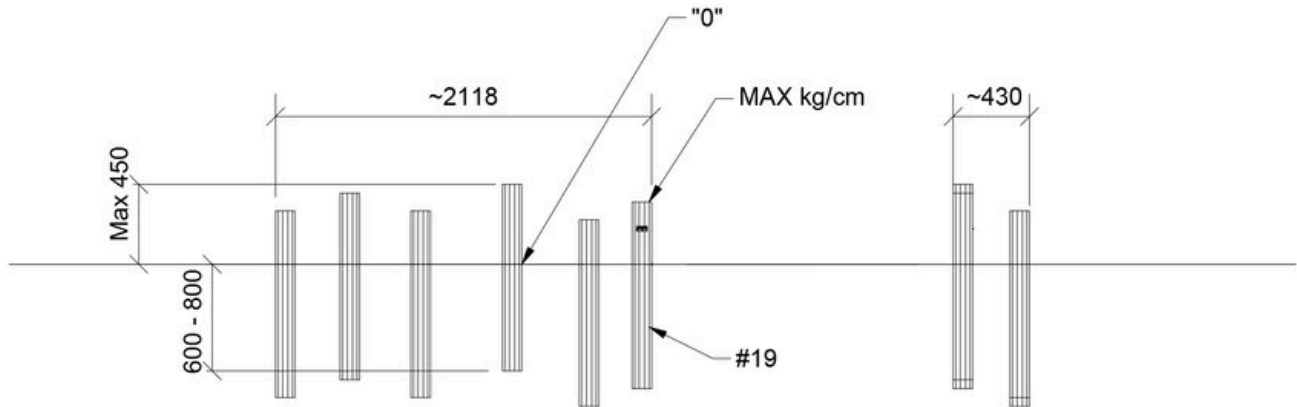
The equipment consists of six balance posts, which can be placed at varying heights. The different heights challenge the children as they coordinate and judge distances while hopping across the posts. The Balance Posts train children's motor coordination and balancing skills. The posts beautifully blend into the surroundings and serve as a natural connector between other pieces of play equipment, for example in a balance course.



Age	3+
Number of users	6
Color	Uncolored
Primary materials	Robinia
Anchoring	Robinia in ground
Fall height	0,6 m
Dimensions (lxdxh)	2,1 x 0,4 x 0,45 m
Fall area	14,8 m ²
Minimum area	5,1 x 3,1 x 0,5 m

Variation	Color	Installation
N3240	Chestnut	Robinia in ground

Warranty (Terms and conditions)	
Robinia	15 years



Assembly time
2 hours



Anchoring
Robinia in ground



Largest part
Ø11 x 105 cm



Number of installers
2



Concrete
0,23 m³



Heaviest part
9,3 kg