



Click or scan



Product description

Explore the art of balance with this sturdy balance beam. A classic element on the playground that invites children to test and develop their balance and coordination.

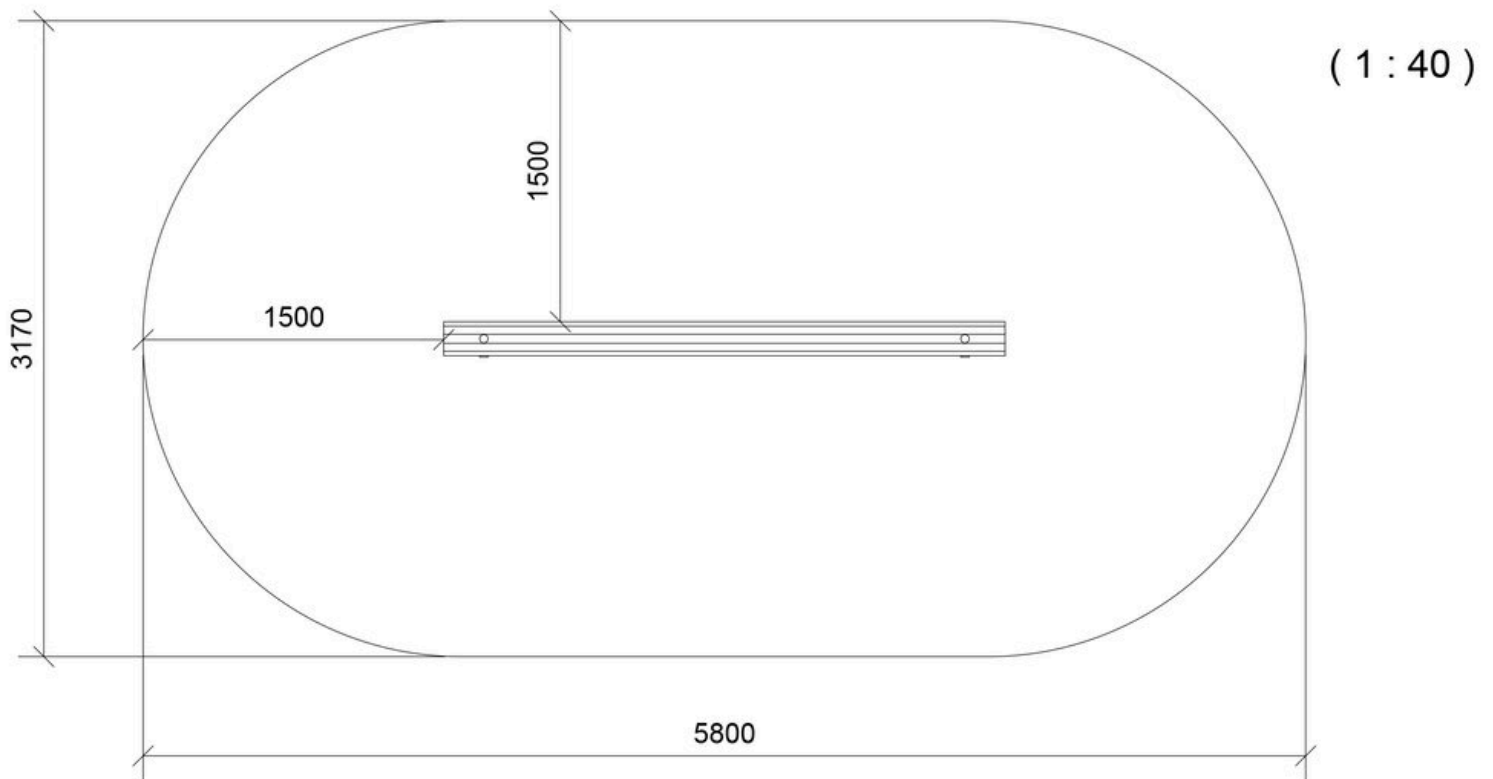
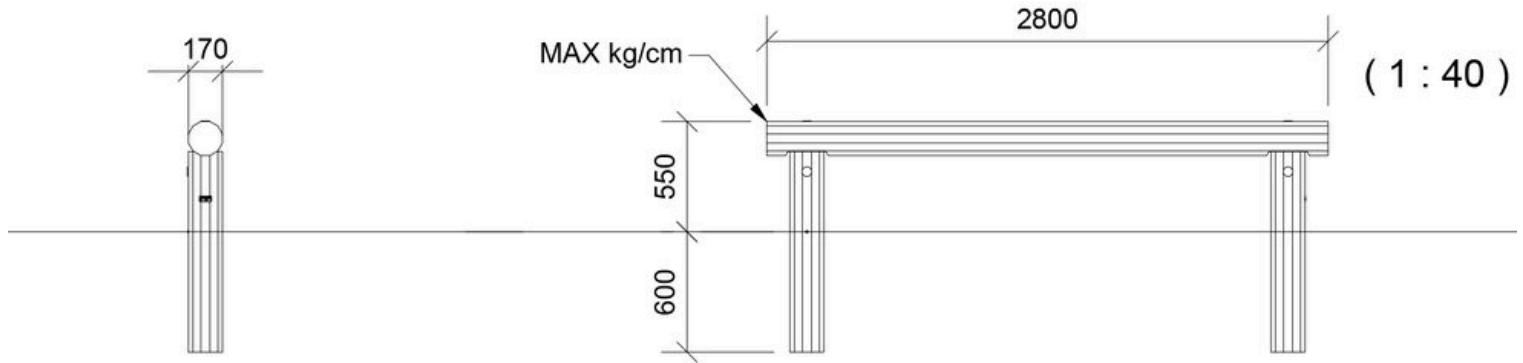
The solid beam is securely anchored between two lowly placed posts, making it accessible and safe for children of all ages. The beam trains motor coordination and balancing skills, it can also function as a bench when there is a need for a well-deserved break in play.



Age	3+
Number of users	2
Color	Uncolored
Primary materials	Robinia
Installation	Robinia in ground
Fall height	0,6 m
Dimensions	2,8 x 0,2 x 0,6 m
Fall area	16,2 m ²
Minimum area	5,8 x 3,2 x 0,6 m

Variation	Color	Installation
LE20532	Chestnut	Robinia in ground

Warranty (Terms and conditions)	
Robinia	15 years



Assembly time
2,5 hours



Installation
Robinia in ground



Largest part
Ø16/18 x 280 cm



Number of installers
2



Concrete
0,07 m³



Heaviest part
65 kg