



Click or scan



Product description

The Rope Bridge, featuring just a single log, offers a challenging balancing activity as children navigate across the bridge.

This Bridge is made up of one log suspended by ropes connected to railings on both sides, like a suspension bridge. Children are not only challenged by having just one beam to walk on, but the beam also moves with each step they take.

The ropes and railings provide stability and support while crossing. The Rope Bridge helps develop children's motor coordination and balance abilities.

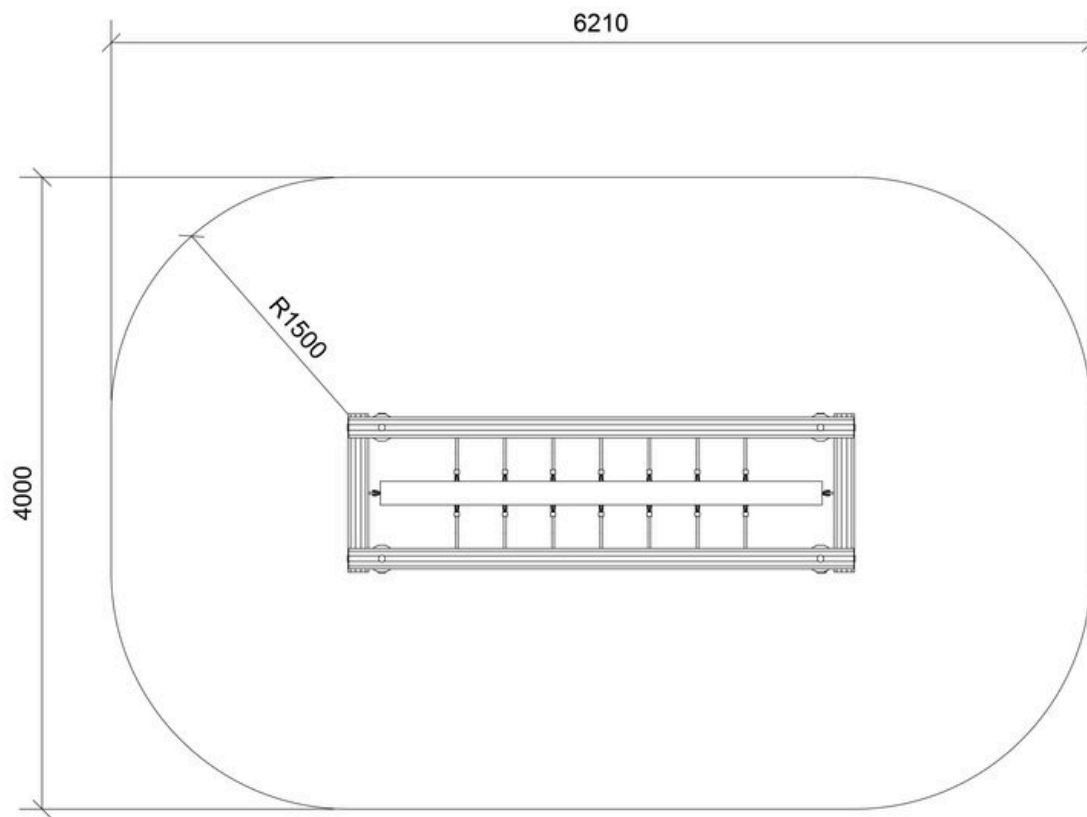
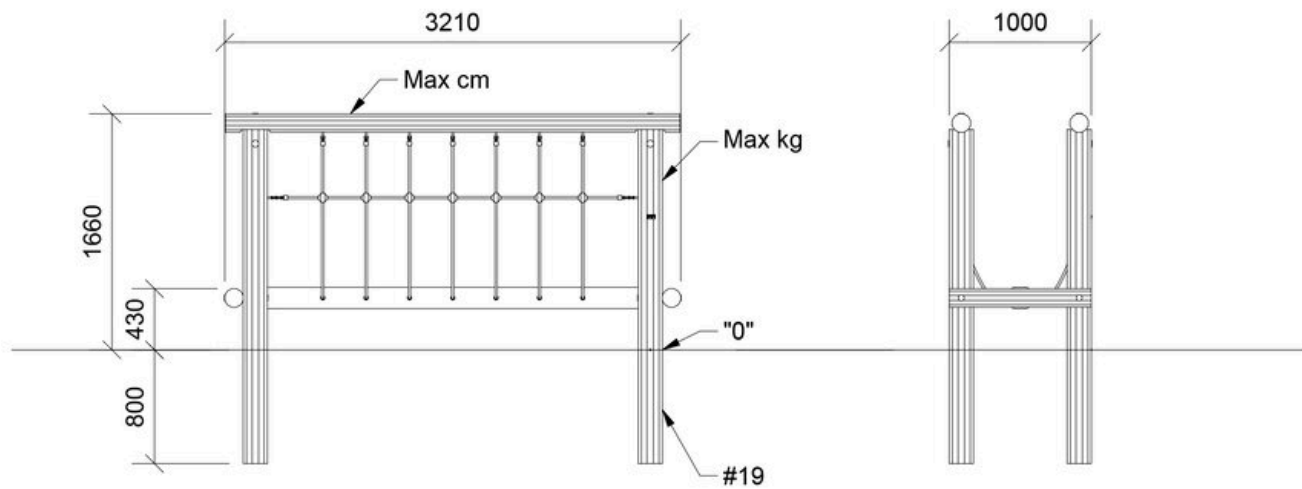
Multiple children can use the bridge at the same time, encouraging social interaction through playful teamwork, sharing, and planning.



Age	3+
Number of users	3
Color	Uncolored
Primary materials	Robinia, Taifun, Plastic
Installation	Robinia in ground
Fall height	0,43 m
Dimensions	3,2 x 1 x 1,7 m
Fall area	23 m ²
Minimum area	6,2 x 4 x 1,7 m

Variation	Color	Installation
LE20924	Chestnut	Robinia in ground

Warranty (Terms and conditions)	
Robinia	15 years
Taifun	5 years
Plastic	5 years



Assembly time
6 hours



Installation
Robinia in ground



Largest part
Ø12/14 x 320 cm



Number of installers
2



Concrete
0,15 m³



Heaviest part
50 kg