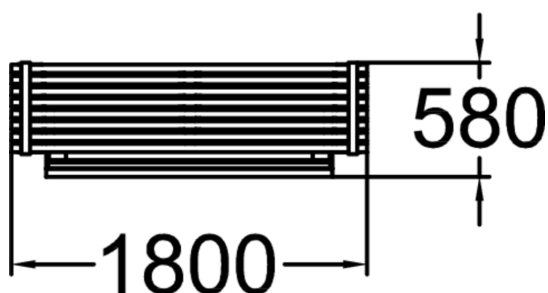
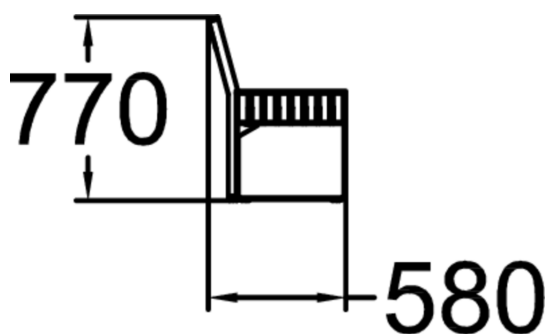


Bench 3-seater with back rest, no handrest



The 061101M model offers a versatile seating solution with a full-size backrest for enhanced comfort. It is perfect for public parks, plazas, and communal spaces where relaxation is key. The bench is constructed using glue-laminated northern pine seat planks, sized at 1800x42x120, that come in natural tones or are treated with paint or linseed oil. The backrest provides additional support while maintaining the sleek, clean lines of the Momentum series. The 8mm planks are 45 in width, and the powder-coated metal frame is available in dark grey, black, or other colour options to suit various urban settings. Like all Momentum benches, the 061101M offers multiple installation options, including free-standing, surface fixation, and ground mounting, ensuring stability and adaptability in different environments. The Momentum Bench 061101M embodies the essence of Scandinavian design with playful yet minimalist elements, creating a warm and contemporary feel. Its simple yet striking presence complements urban environments.



Product length, mm	1800
Product width, mm	580
Product height, mm	770
Foundation options	ground_anchoring surface_mounting
Wood	ending
Metal	