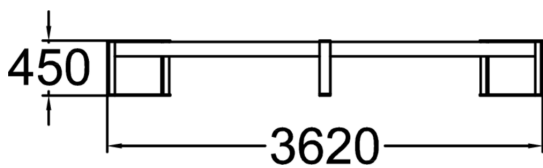
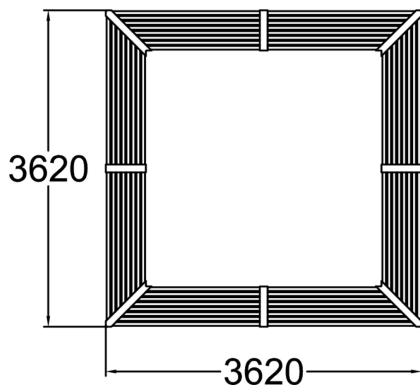



# Square Bench 24-seater



The 061110M model features a square design, ideal for public spaces, courtyards, and schoolyards. Made from glue-laminated northern pine planks (1800x42x120 mm) with natural, painted, or linseed oil finishes, it ensures durability and aesthetic appeal. Its 8mm metal frame (90mm wide) is powder-coated in dark grey, black, or custom colors to suit various urban settings. Part of the modular Momentum series, it allows for customization, including table integration, and offers flexible installation: free-standing, surface-fixed, or ground-mounted. Reflecting Scandinavian design, the 061110M combines playful minimalism with a warm, modern aesthetic, enhancing urban spaces with its balanced, modular form.



Product length, mm	3600
Product width, mm	3600
Product height, mm	458
Foundation options	ground_anchoring surface_mounting
Wood	 nding
Metal	