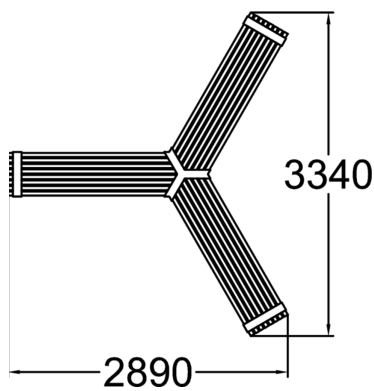


Three-armed Bench 9-seater



The 061112M features a three-armed bench, making it ideal for locations where comfort and relaxation are key, such as courtyards, plazas, and community gathering spaces. The flexible modular system allows creating a bench at a 90- or 120-degree angle. Crafted with glue-laminated northern pine, the wooden seat planks are 1800x42x120 and available in natural tones or treated with paint or linseed oil to provide durability and refinement. The 061112M model includes 8mm powder-coated metal frames with a 90mm width, available in dark grey, black, or special colour options to suit diverse urban settings. As part of the Momentum series, this bench is designed to be modular, allowing for seamless integration with separate tables or additional benches. Installation options include free-standing, surface fixation, or ground mounting with long underground legs, ensuring stability and adaptability across various environments. The Momentum Bench embodies the essence of Scandinavian design, blending playful minimalism with a warm, contemporary aesthetic. This model enriches



Product length, mm	2891
Product width, mm	3338
Product height, mm	458
Foundation options	ground_anchoring surface_mounting
Wood	ending
Metal	

