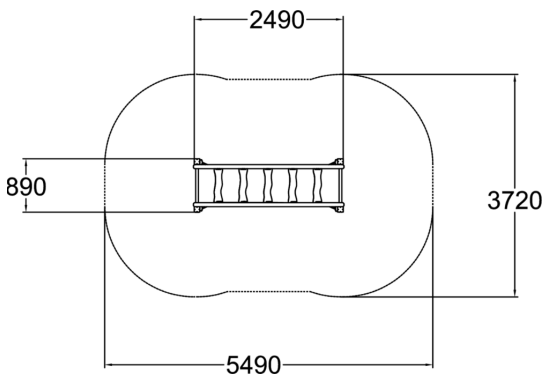
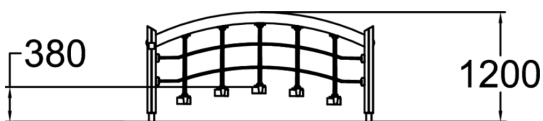



175533M

# Wobbling Logs



The Wobbling logs improves balance, coordination, core body strength and lower body strength. This equipment is an arched rung bridge with five rungs suspended by ropes from the arched handrails. The unsteady steps rise along the handrail curve and move back and forward, side to side, providing an exciting challenge for wide range of users. The product is manufactured from locally sourced nordic pine. Available in Natural Tone and Flora Brown.



User age	3+
Number of users	7
Product length, mm	2490
Product width, mm	890
Product height, mm	1200
Falling space, m <sup>2</sup>	18.2
Max. free fall height, mm	380
Safety info	EN 1176-1, EN 16630
Foundation options	deep_mounting surface_mounting
Wood	
Ropes	