

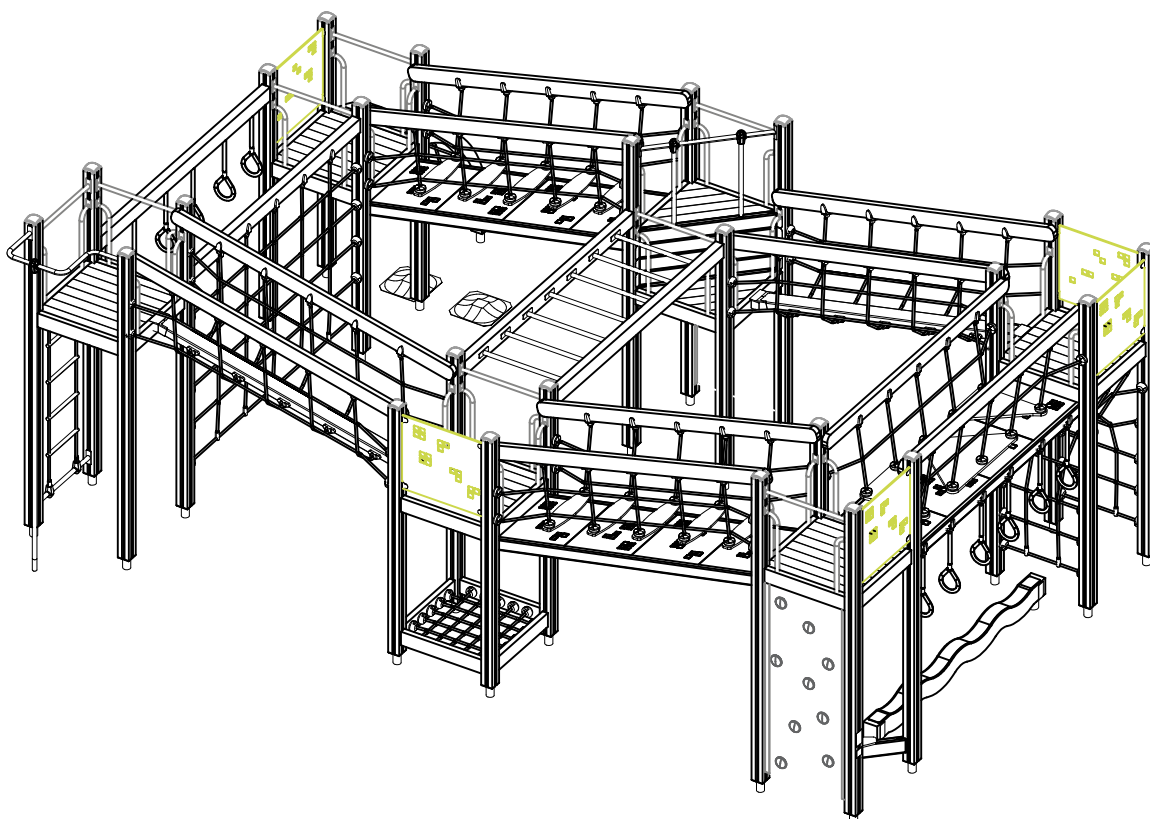
LAPPSET®

FINNO


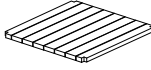

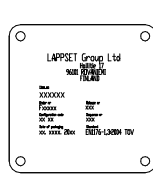
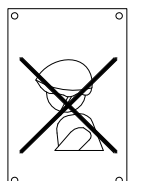
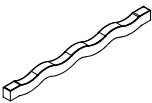
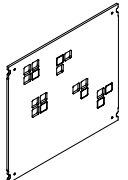
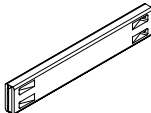
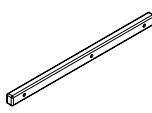
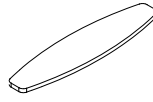

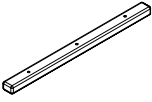
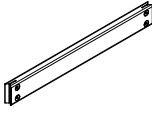
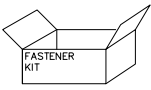
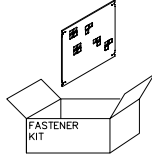
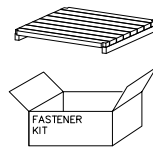
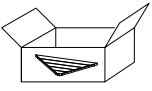
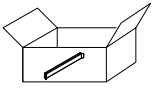
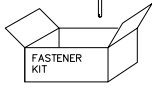
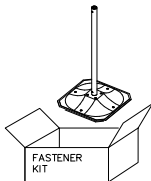
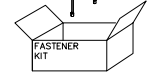
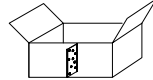
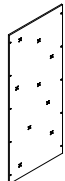
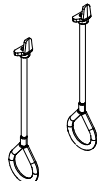
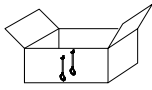
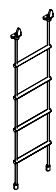
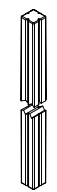


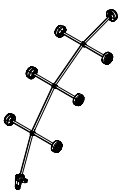
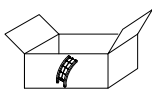
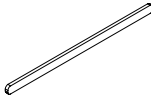
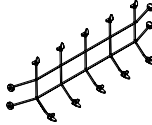
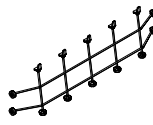
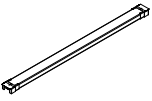
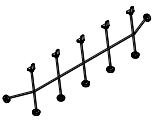
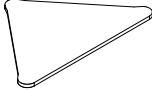

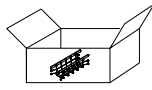
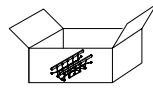
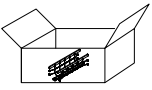
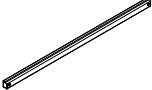
ASENNUSOHJE
MONTERINGSANSVISNING
INSTALLATION INSTRUCTION
AUFBAUANLEITUNG
NOTICE D'INSTALLATION

DATE: 29.10.2019

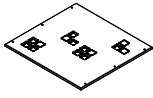
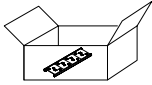
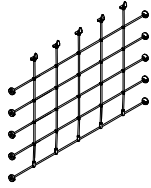
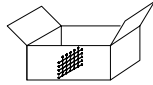

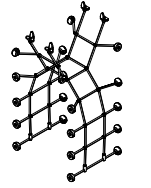
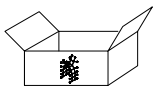
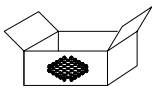
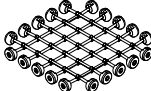
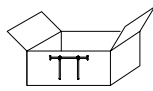
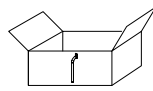
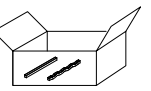
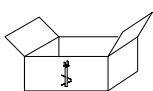
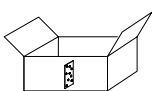
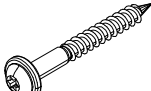
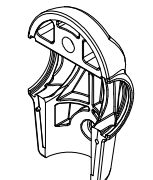
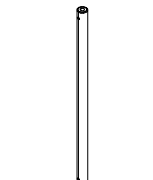


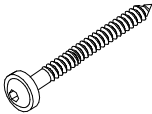
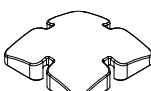
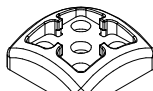
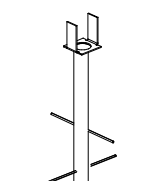

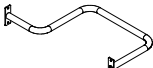
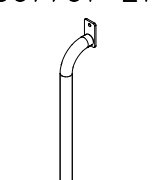
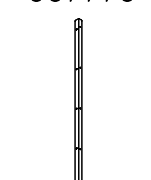


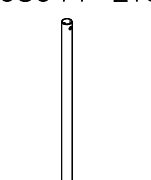
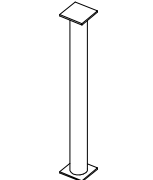
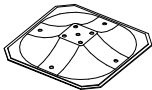
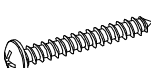
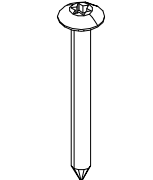
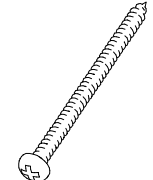
Q14269



DATE: 29.10.2019

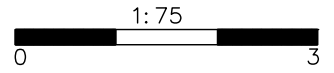
008985  32x714x714	PCS 2	008986  750x750	PCS 5	701665  45x95x555	PCS 1	702286  65x65	PCS 1	702339  118x78	PCS 1	705590-602  120x200x2294	PCS 1
706436-703  10x640x702	PCS 5	706439-602  L 704	PCS 28	706443  32x45x702	PCS 10	706453  15x145x600	PCS 11	706484-602  93x93x2150	PCS 9	706508  32x45x650	PCS 6
706510-602  45x120x1030	PCS 6	706531  FASTENER KIT	PCS 26	706534  FASTENER KIT	PCS 5	706535  FASTENER KIT	PCS 5	706537  FASTENER KIT	PCS 2	706538  FASTENER KIT	PCS 6
706541  FASTENER KIT	PCS 1	706542  FASTENER KIT	PCS 1	706546  FASTENER KIT	PCS 1	706609  FASTENER KIT	PCS 2	706646  12x686x1660	PCS 2	706735-305 	PCS 9
706742  FASTENER KIT	PCS 9	706780-305  FASTENER KIT	PCS 1	706810-602  93x93x2650	PCS 15	706871-602  95x1005x1365	PCS 1	706872-602  95x1005x1365	PCS 1	706873-305  1455x505	PCS 1
706877  FASTENER KIT	PCS 1	707255-611  45x120x2480	PCS 10	707259-305  2340x800	PCS 4	707260-305  2375x600	PCS 4	707262  70x145x2235	PCS 2	707265-305  2360x600	PCS 2
707266  20x584x895	PCS 1	707267  20x584x495	PCS 2	707268  FASTENER KIT	PCS 2	707269  FASTENER KIT	PCS 1	707270  FASTENER KIT	PCS 2	707271-602  70x95x2480	PCS 6

DATE: 29.10.2019

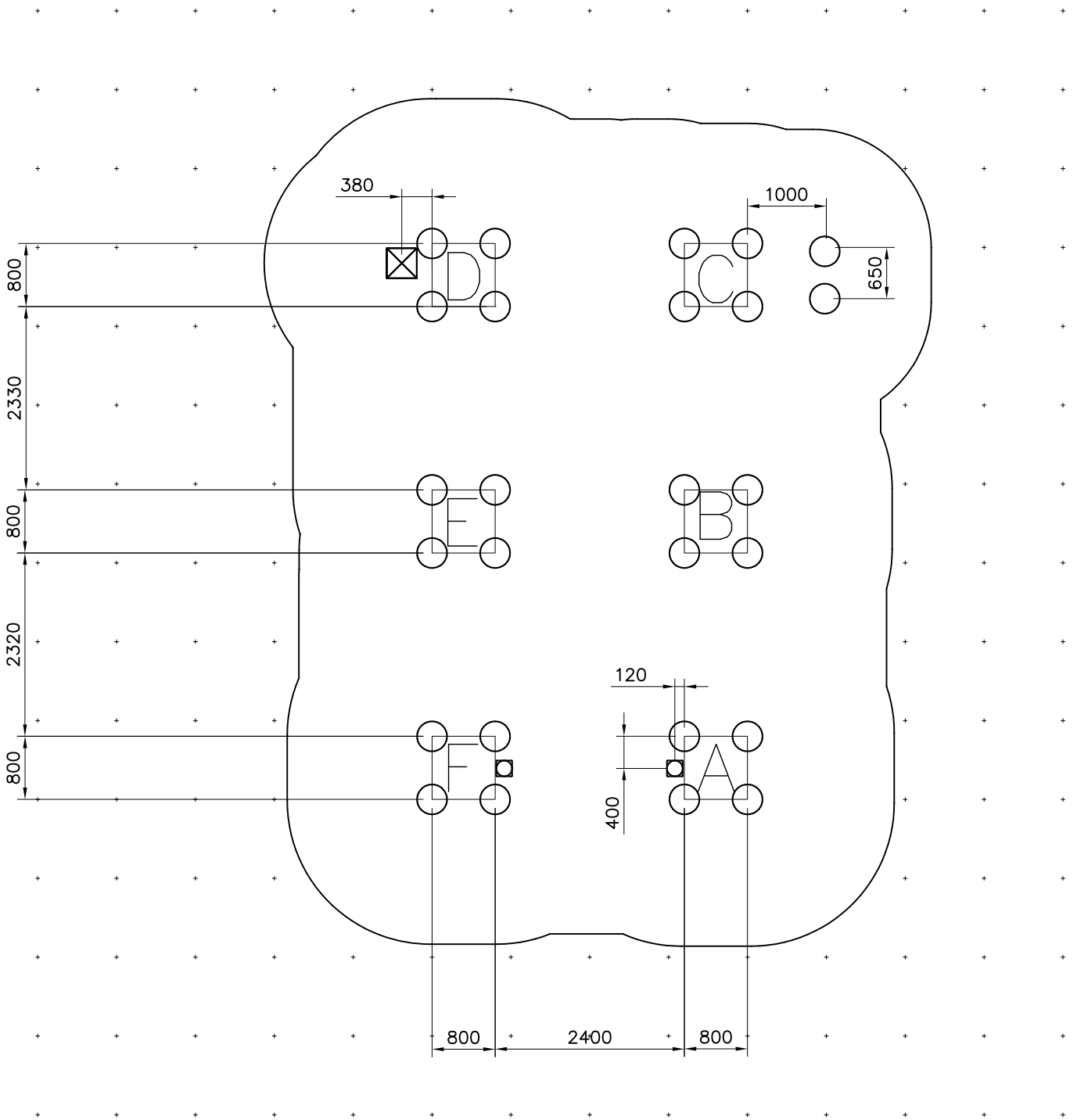
707272-703	PCS 12	707284	PCS 3	707285-305	PCS 1	707287	PCS 1	707294-602	PCS 4	707341-305	PCS 1
											
15x630x590				1600x2305				70x120x2304		1520x705	
707349	PCS 1	707588	PCS 1	707590-305	PCS 1	707625	PCS 1	707732	PCS 36	707785	PCS 1
											
				755x755							
707900	PCS 2	708046	PCS 2	900240	PCS 60	901902	PCS 6	901916	PCS 1	902439	PCS 1
											
FASTENER KIT				Ø8x70		30.7x60.9x100		L 650		Left Hand	
902474	PCS 1	903093	PCS 128	905138	PCS 24	905196	PCS 24	905761	PCS 2	907694-216	PCS 16
											
Right Hand		Ø8x90		GRAY		GRAY		12x12x700		L 704	
907695-216	PCS 1	907701-216	PCS 36	907770	PCS 4	907817-216	PCS 1	907920-216	PCS 1	908044-216	PCS 2
											
				2x35/40x1659		L 2554		120x40x1029		Ø33,7x679	
909511	PCS 26	909519	PCS 27	980114	PCS 8	980123	PCS 4	980131	PCS 96		PCS
											
90x90x650		50x380x380		Ø4x20		Ø7x60		Ø6x60			
	PCS		PCS		PCS		PCS		PCS		PCS

— EN/AS Impact Area 79.4 m²

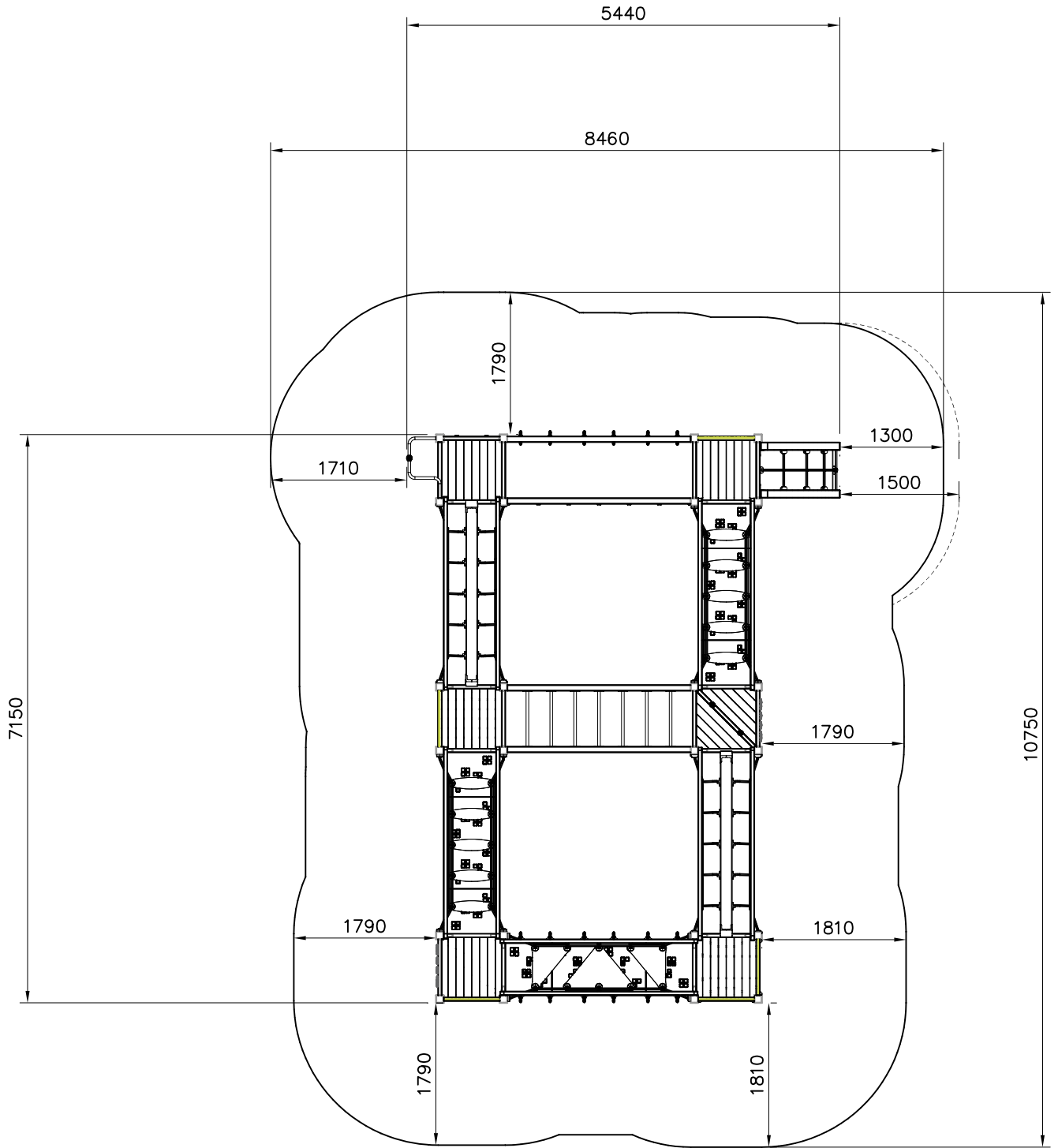
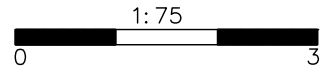
- - - Falling Space 80.1 m²

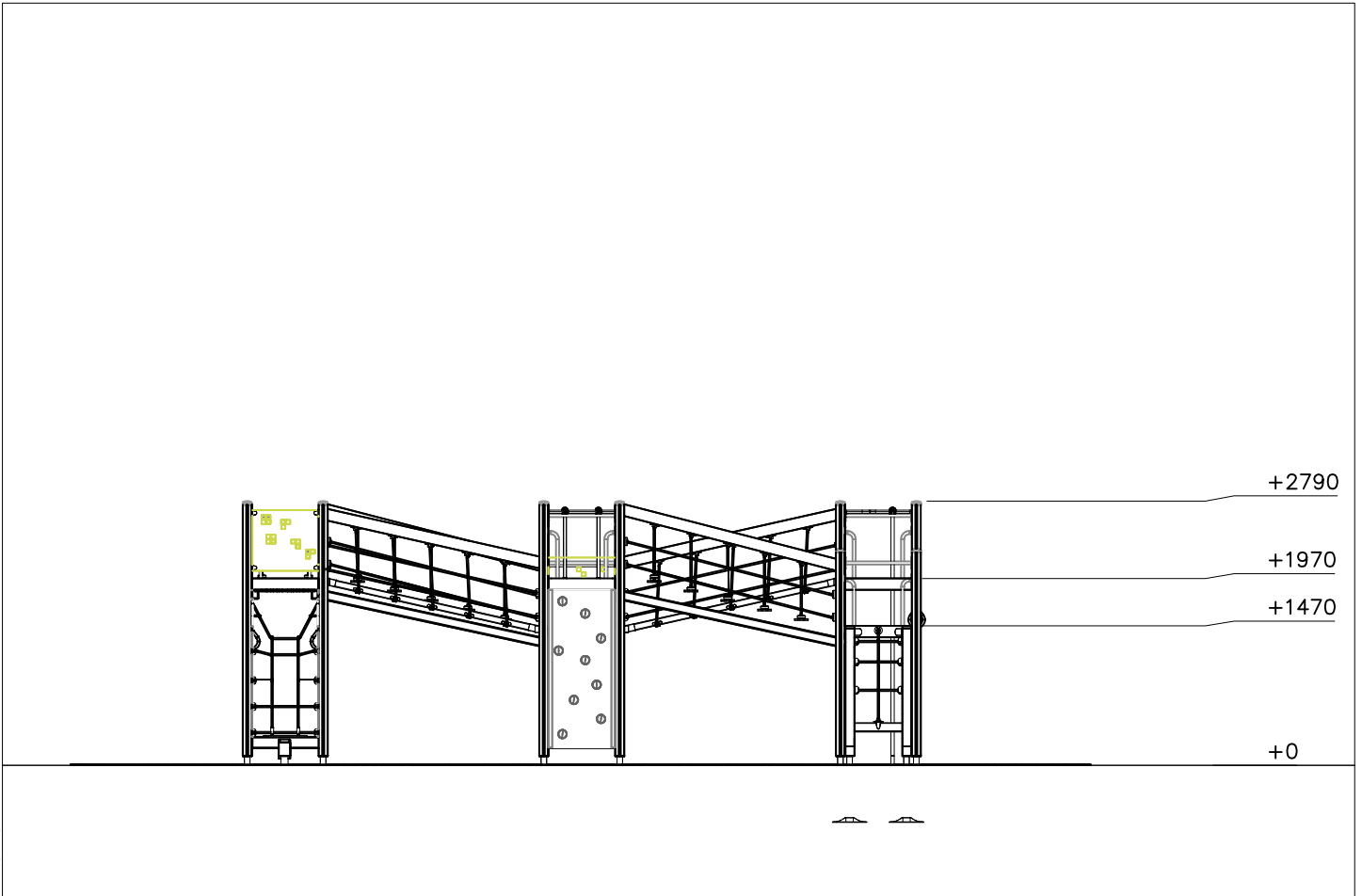
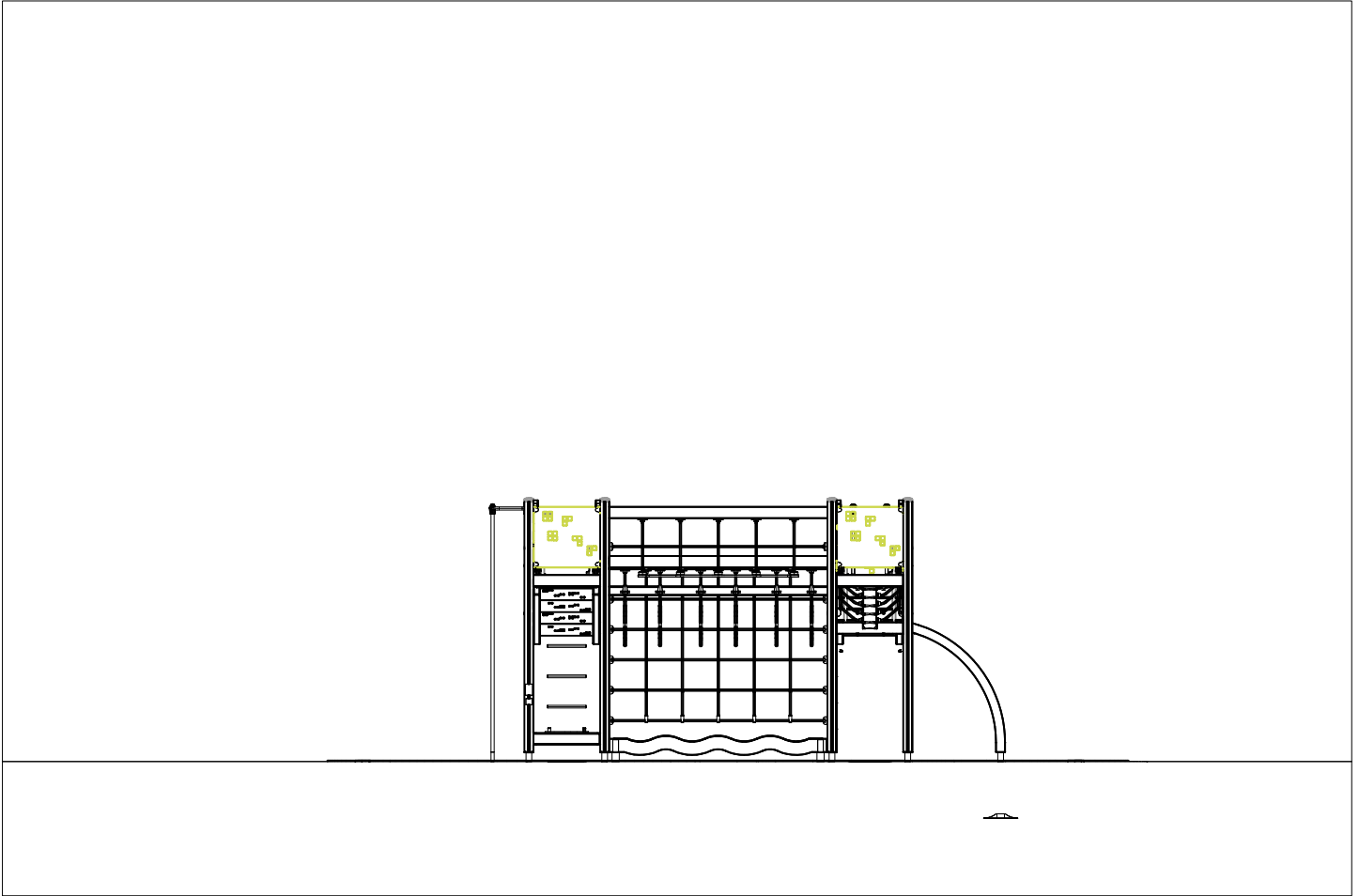


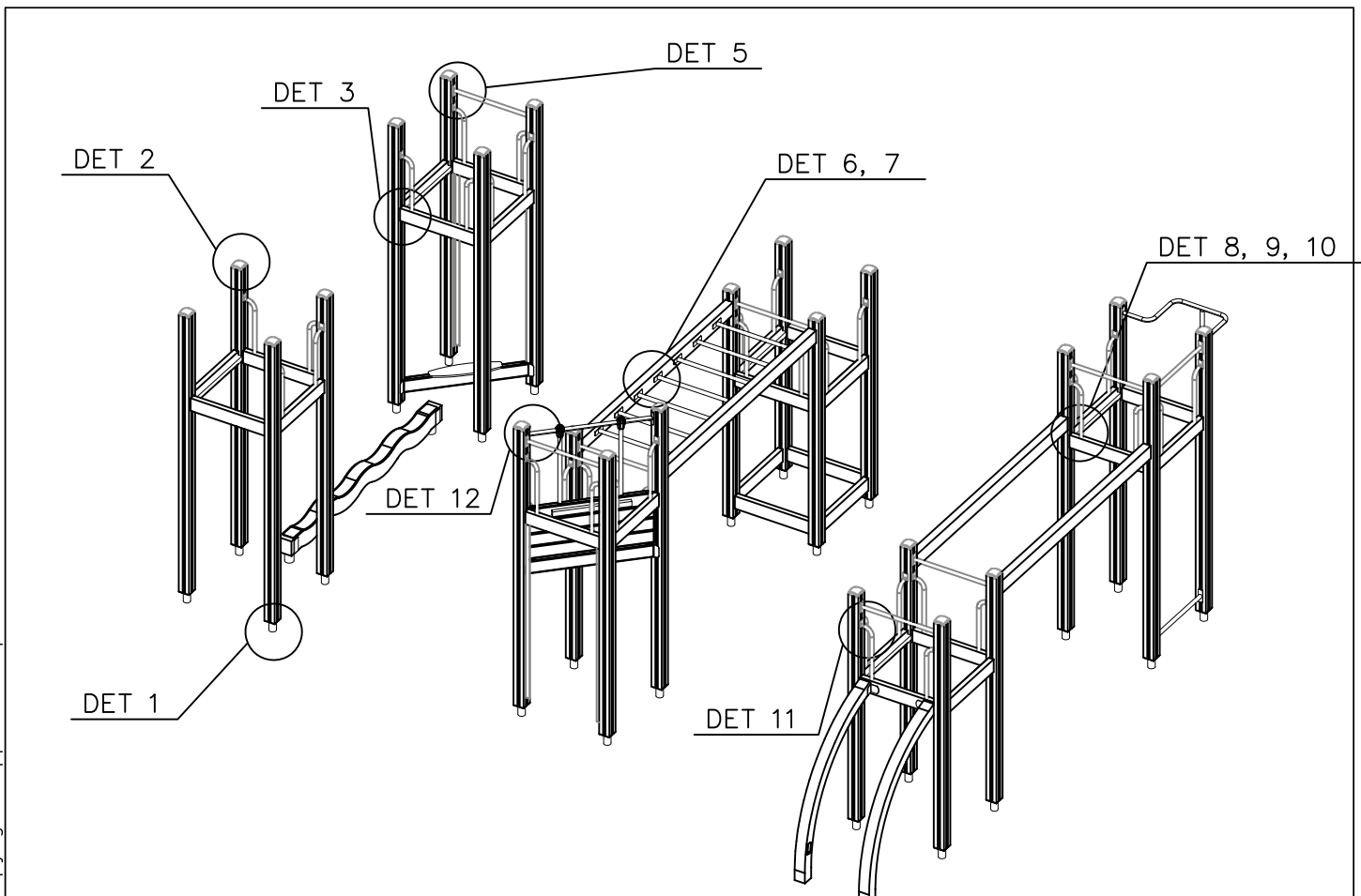
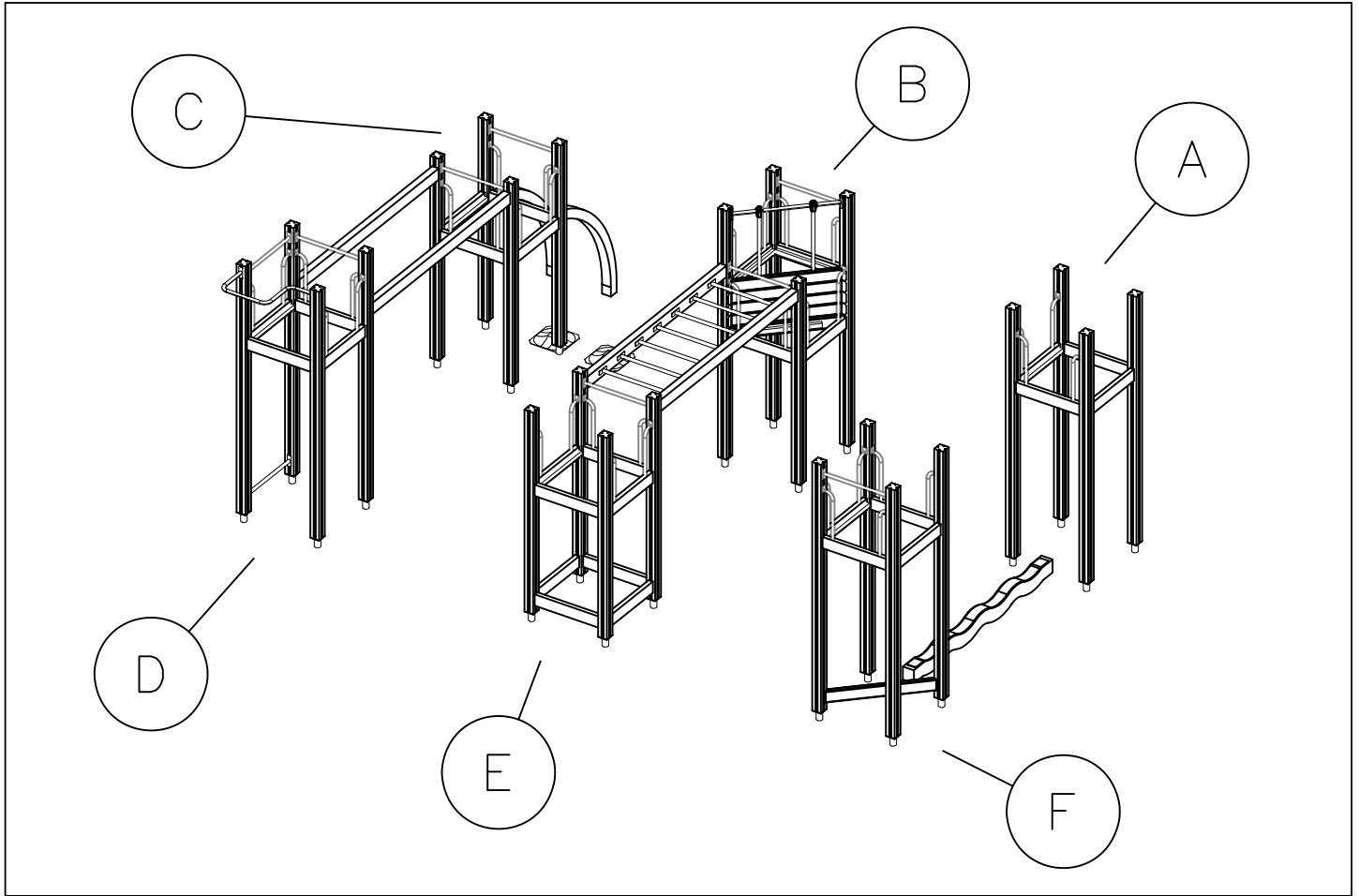
Grid size = 1000 mm



- EN/AS Impact Area 79.4 m²
- - - Falling Space 80.1 m²
Max Falling Height 2150 mm

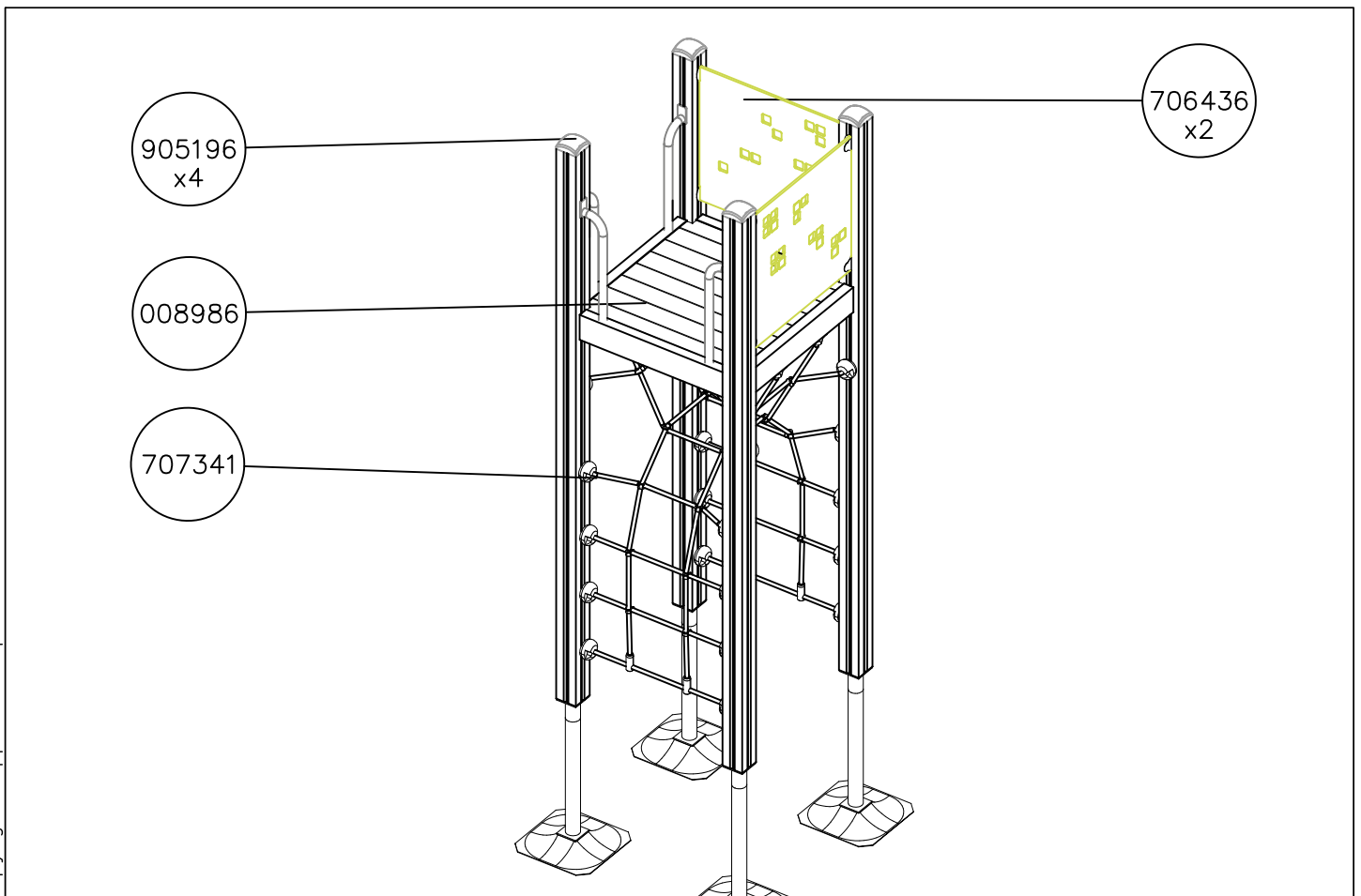
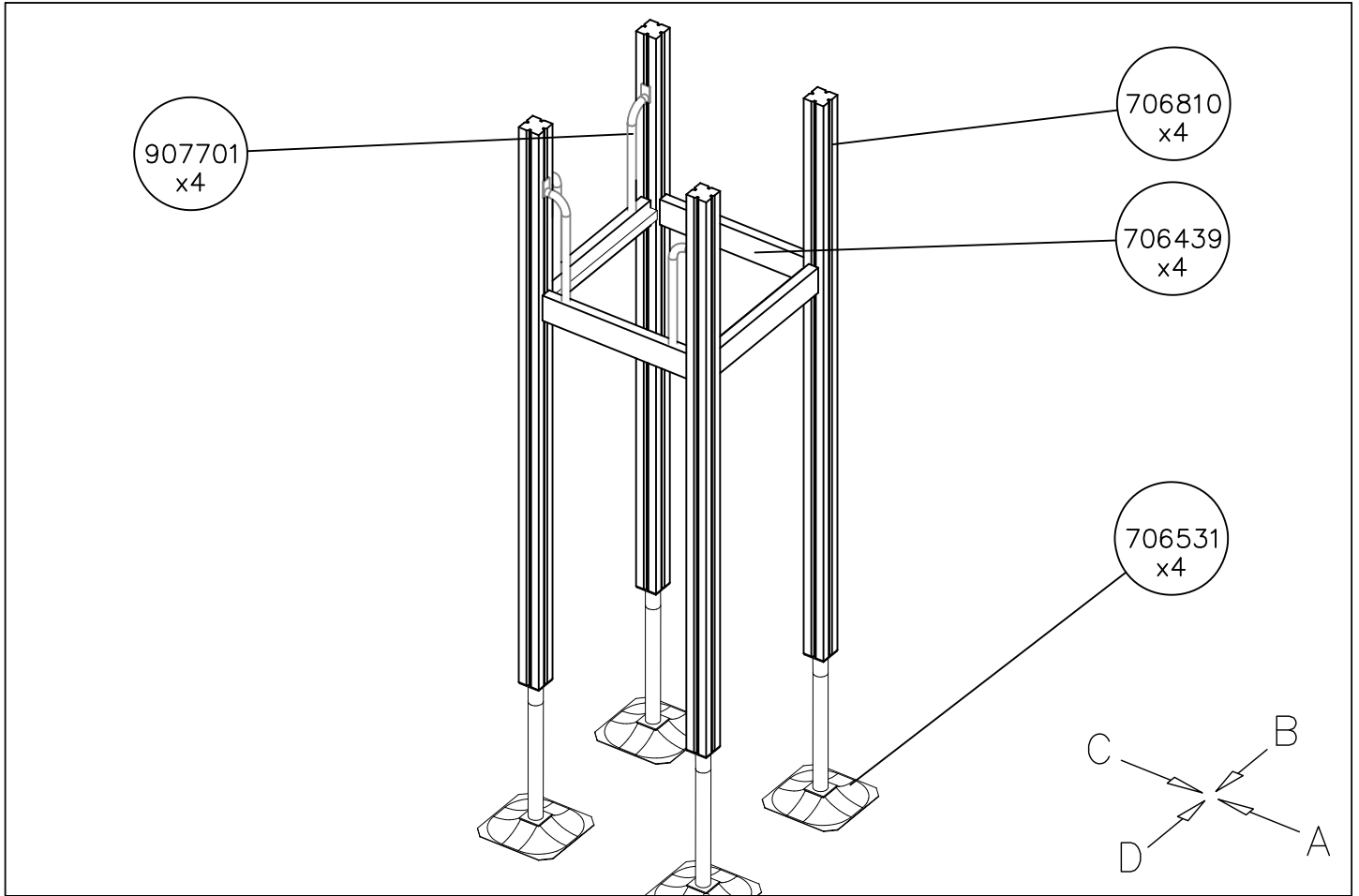






<p>DET 1</p>	<p>DET 2</p>	<p>DET 3</p>	<p>DET 4</p>
<p>DET 5</p>	<p>DET 6</p>	<p>DET 7</p>	<p>DET 8</p>
<p>DET 9</p>	<p>DET 10</p>	<p>DET 11</p>	<p>DET 12</p>

DATE: 29.10.2019

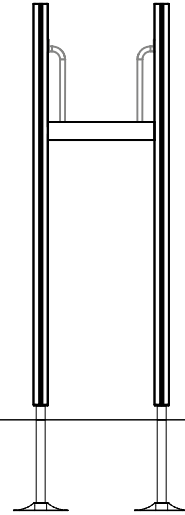
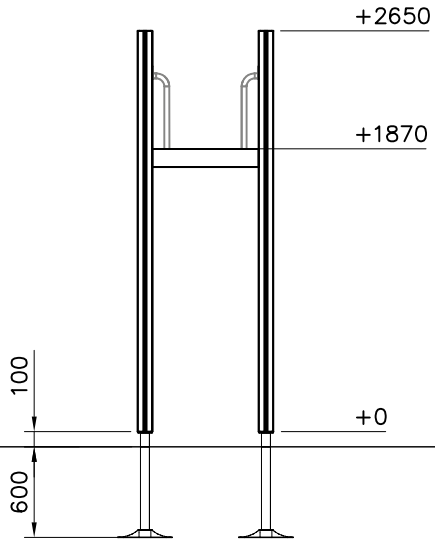


DATE: 29.10.2019

1:50

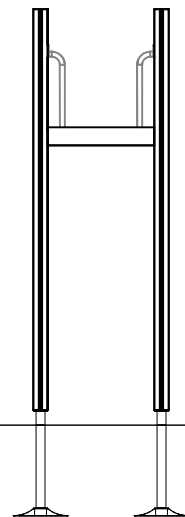
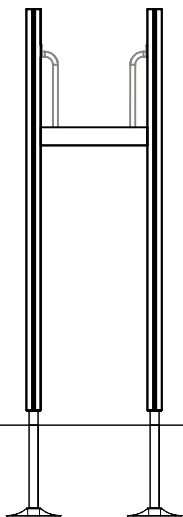
(A)

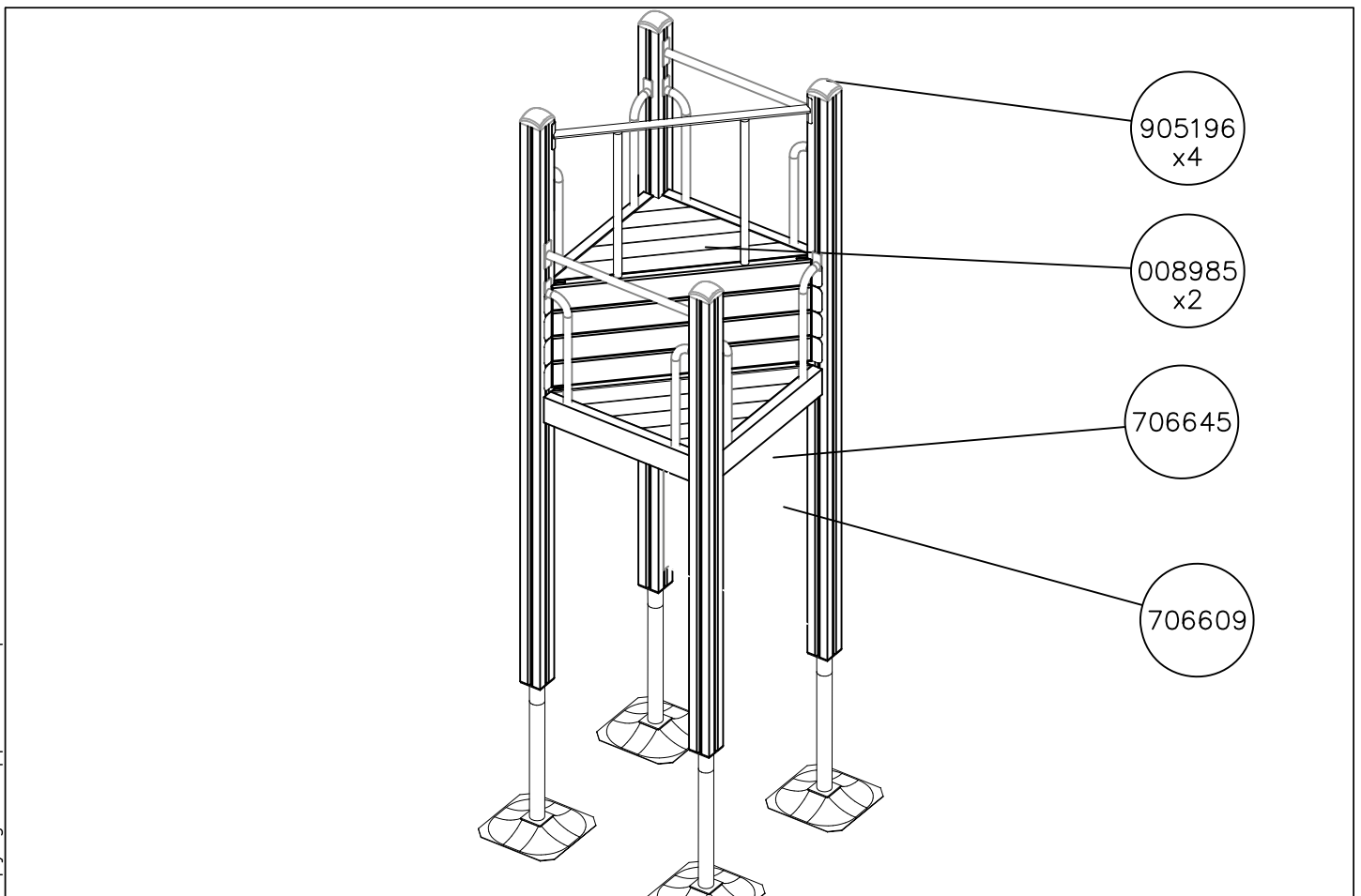
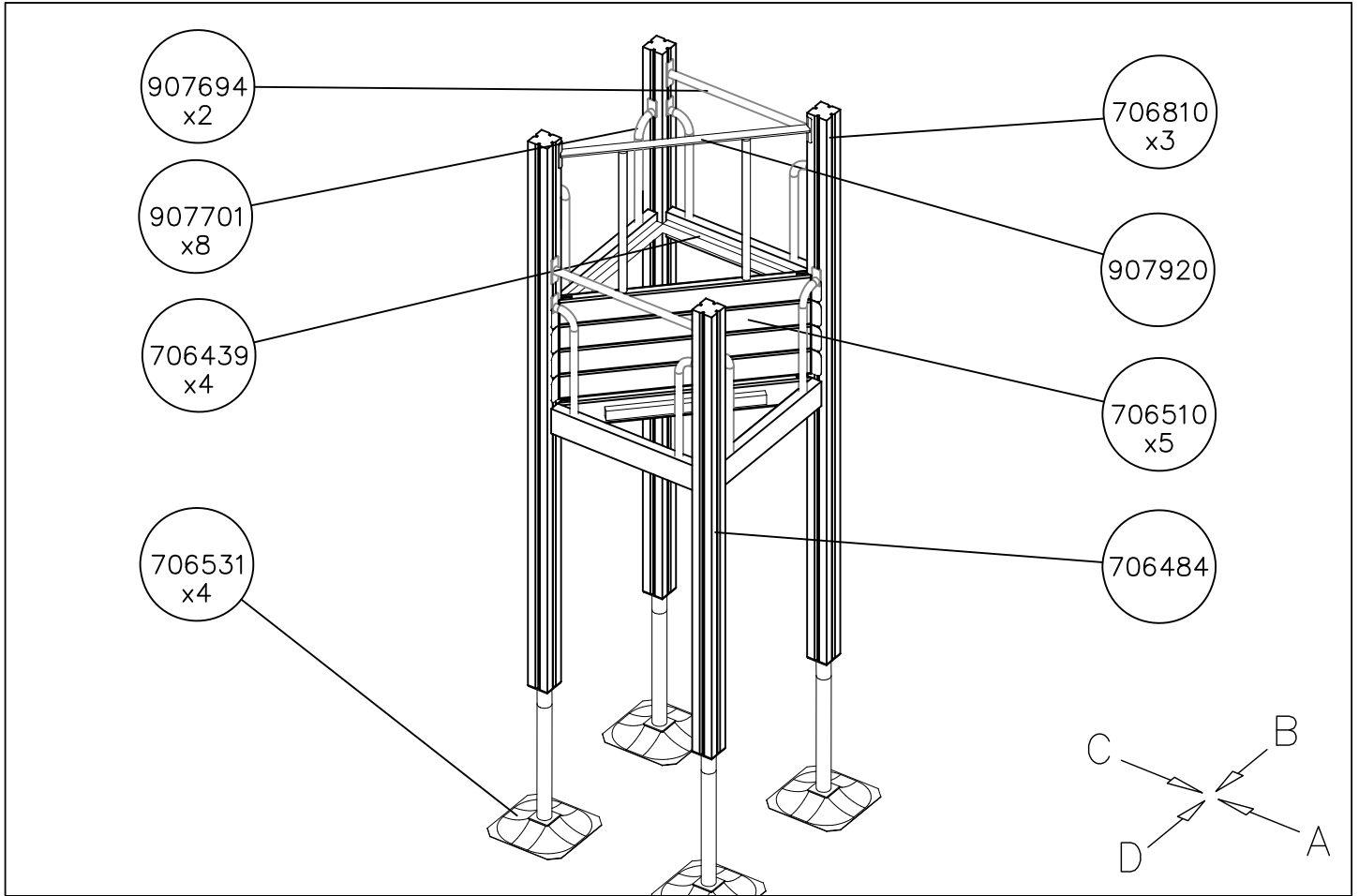
(B)



(C)

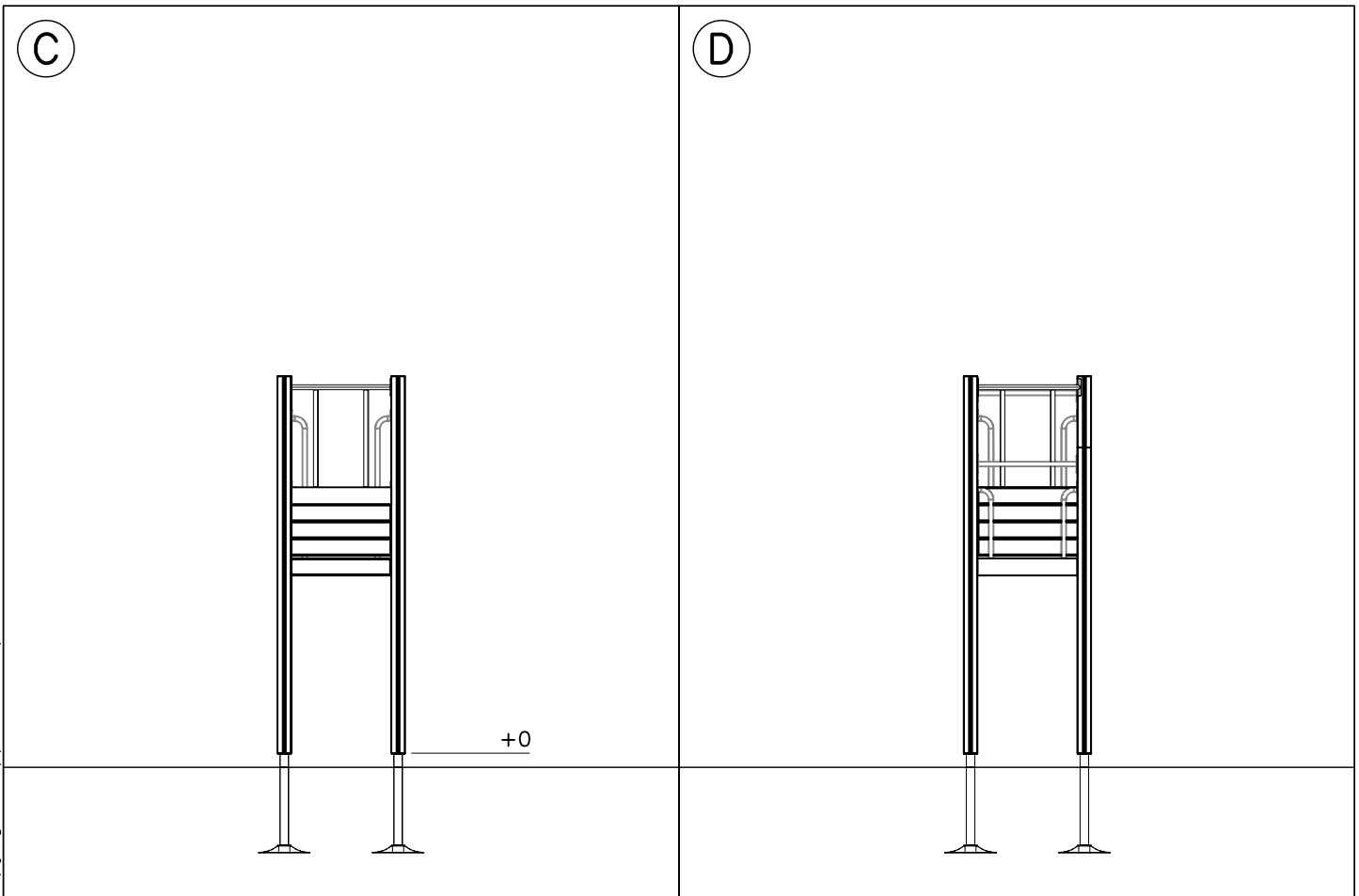
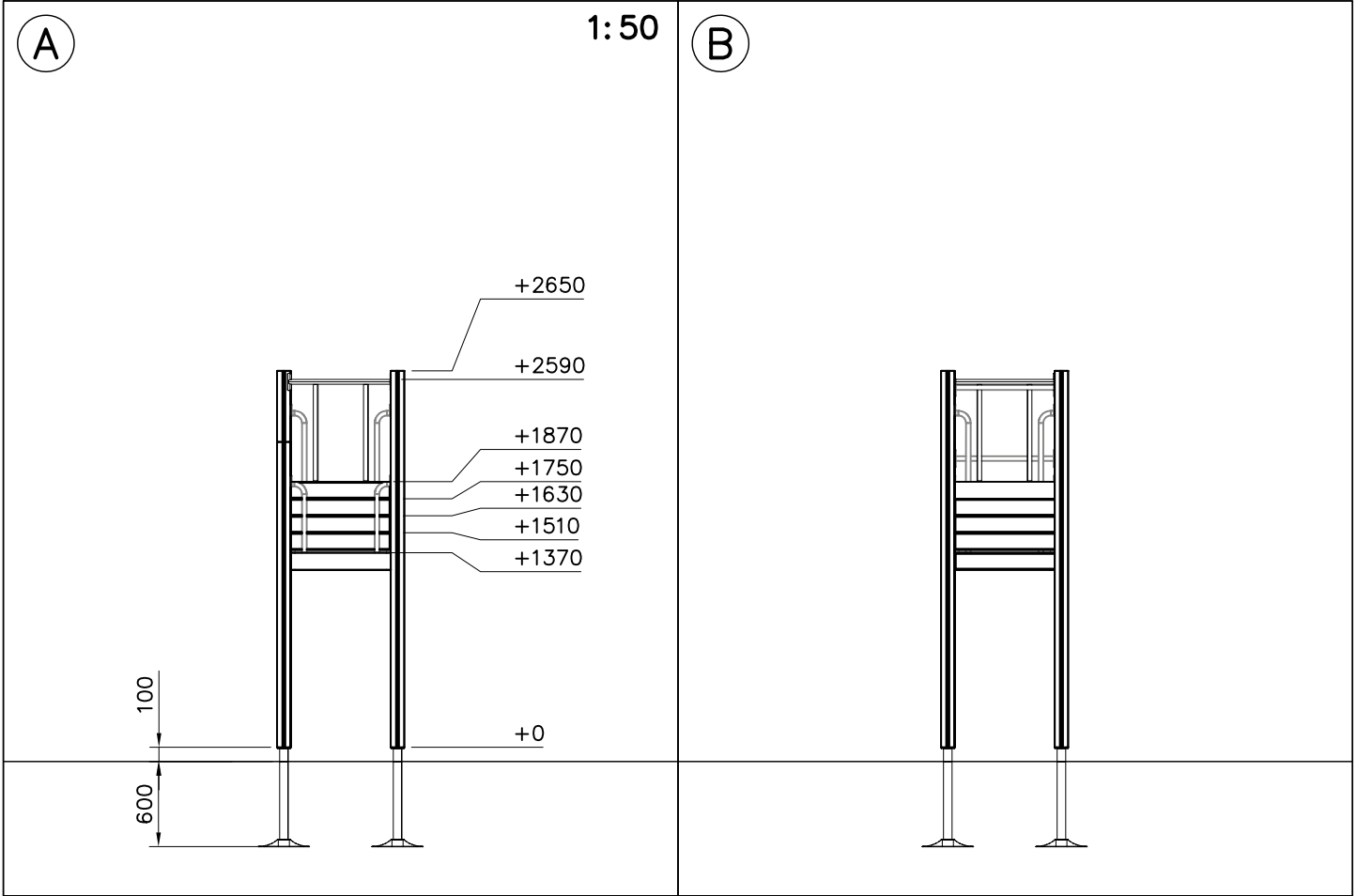
(D)

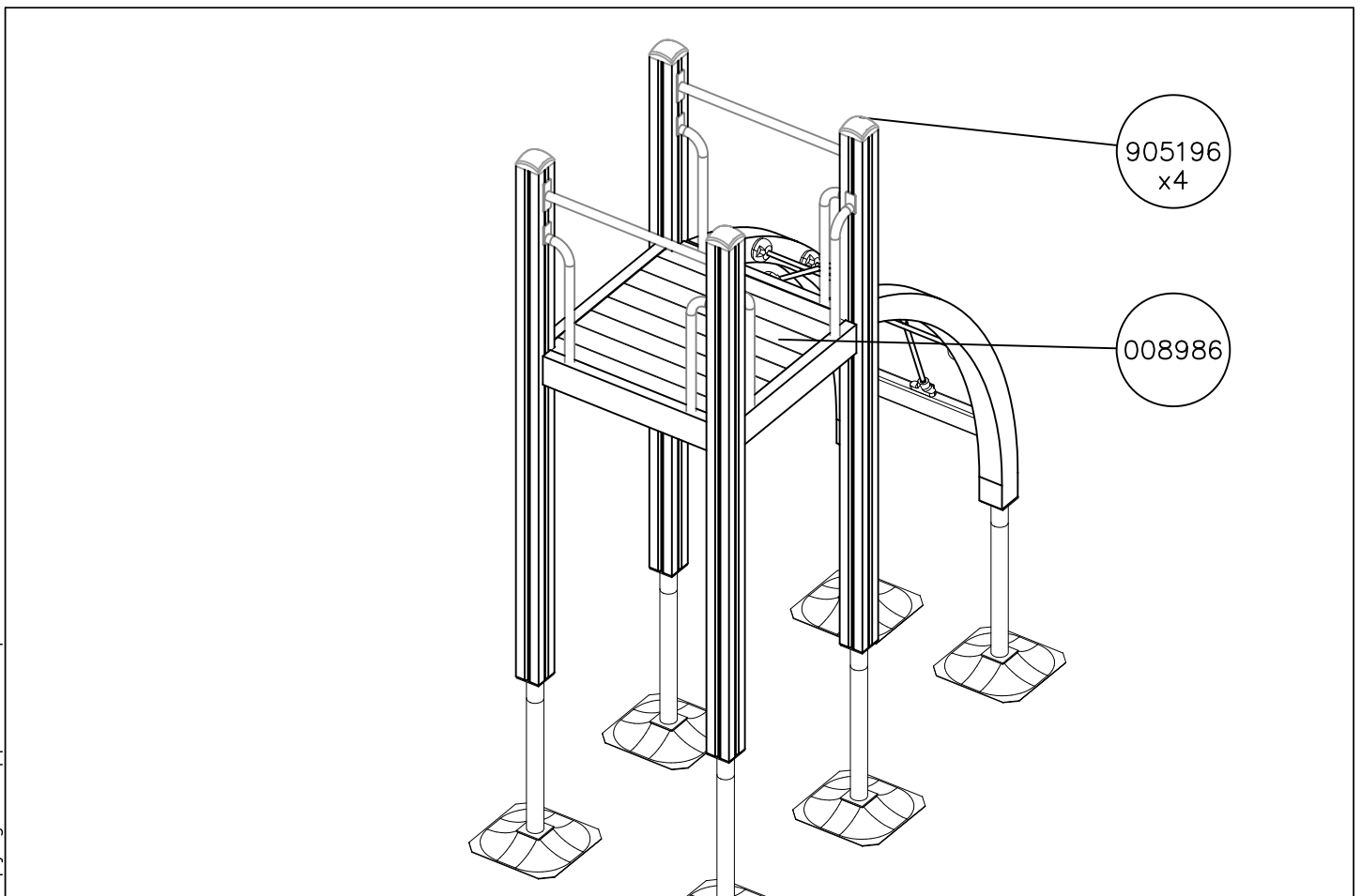
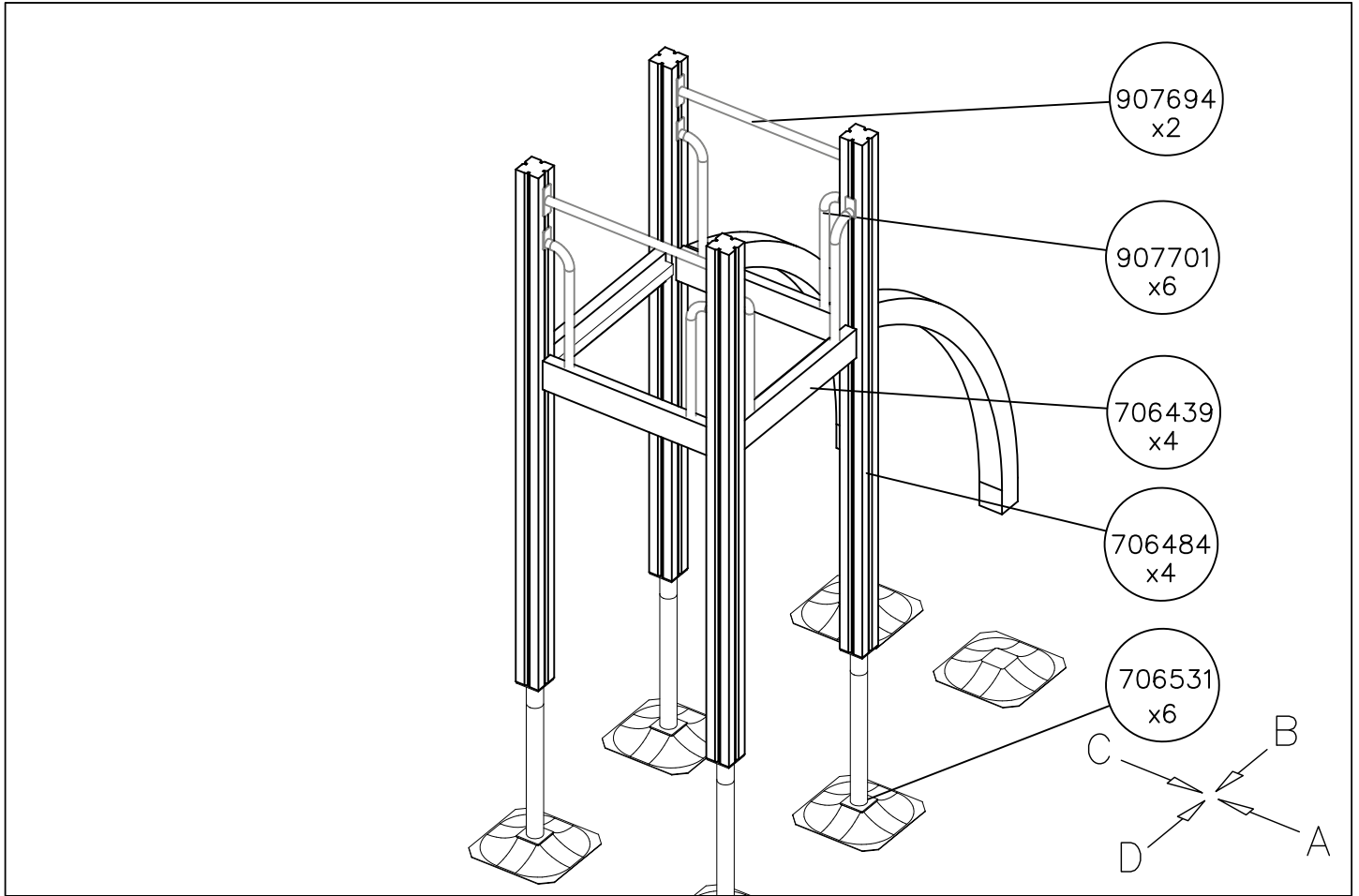




DATE: 29.10.2019

1:50



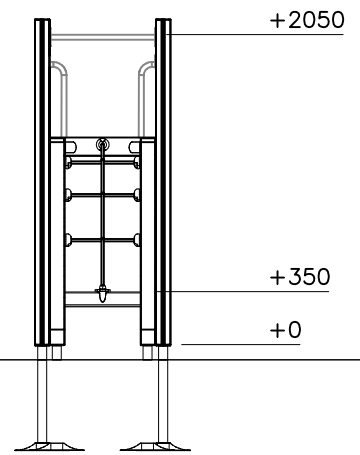
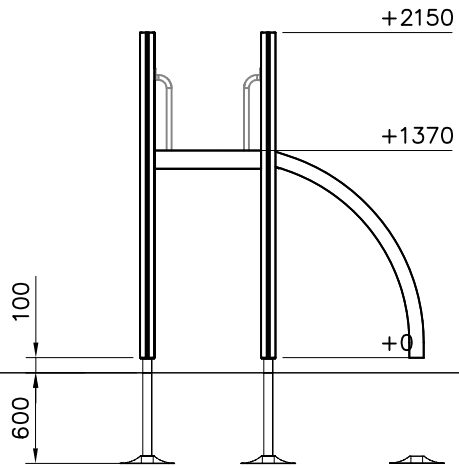


DATE: 29.10.2019

1:50

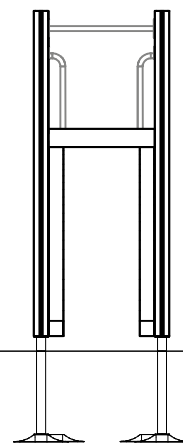
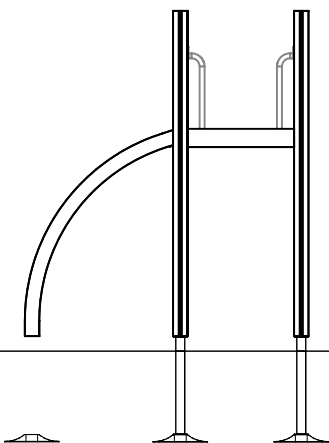
(A)

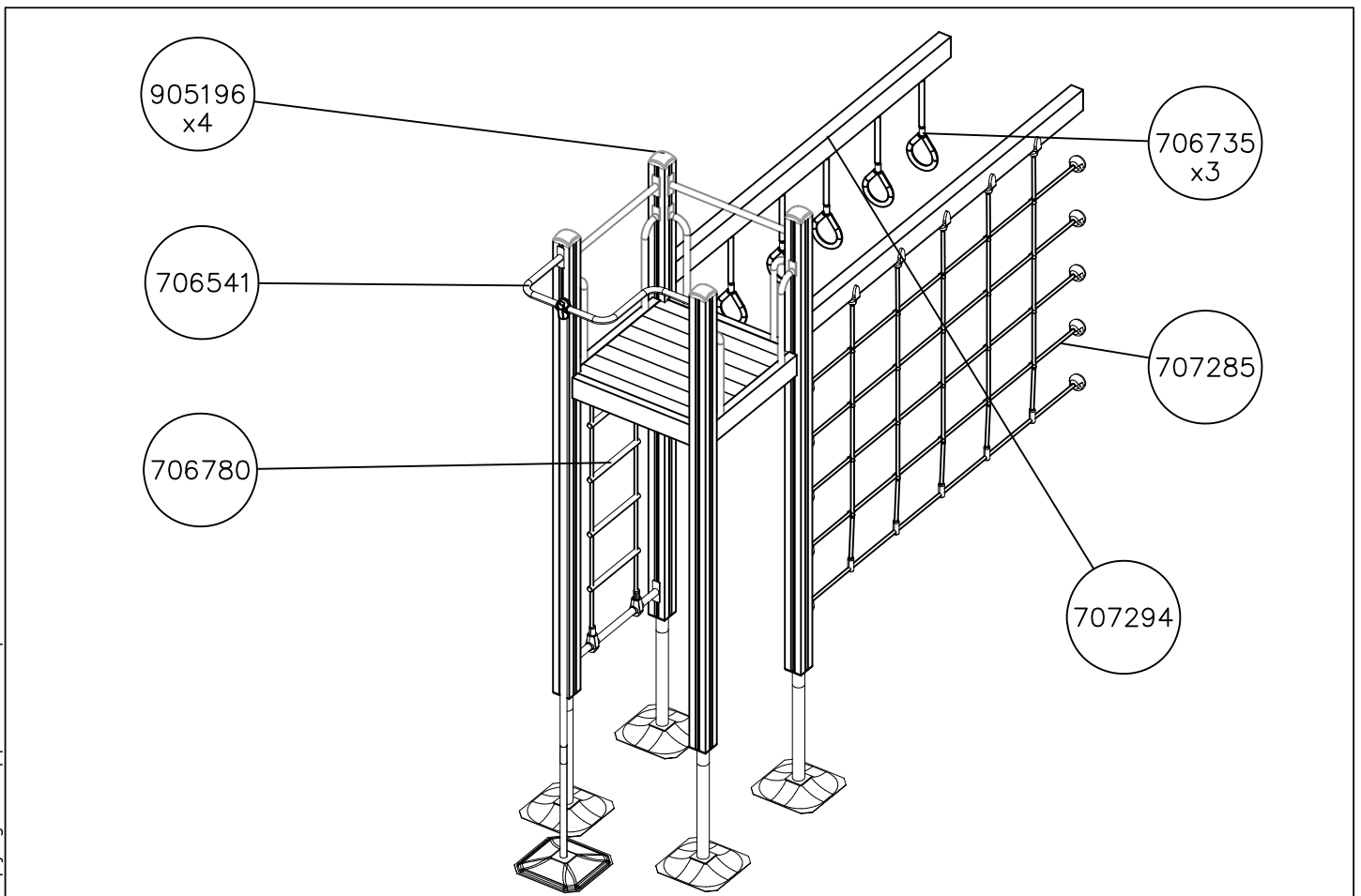
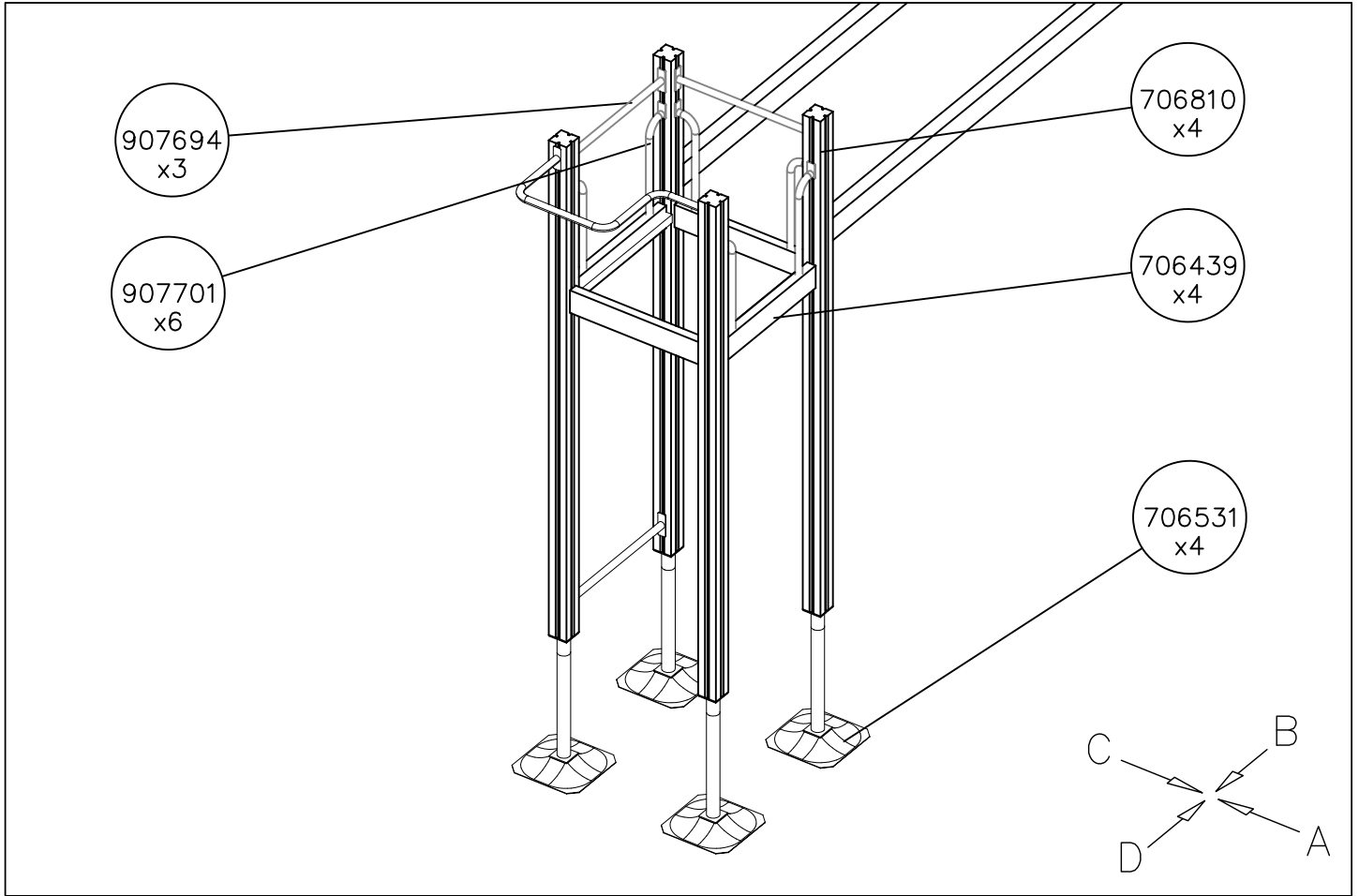
(B)



(C)

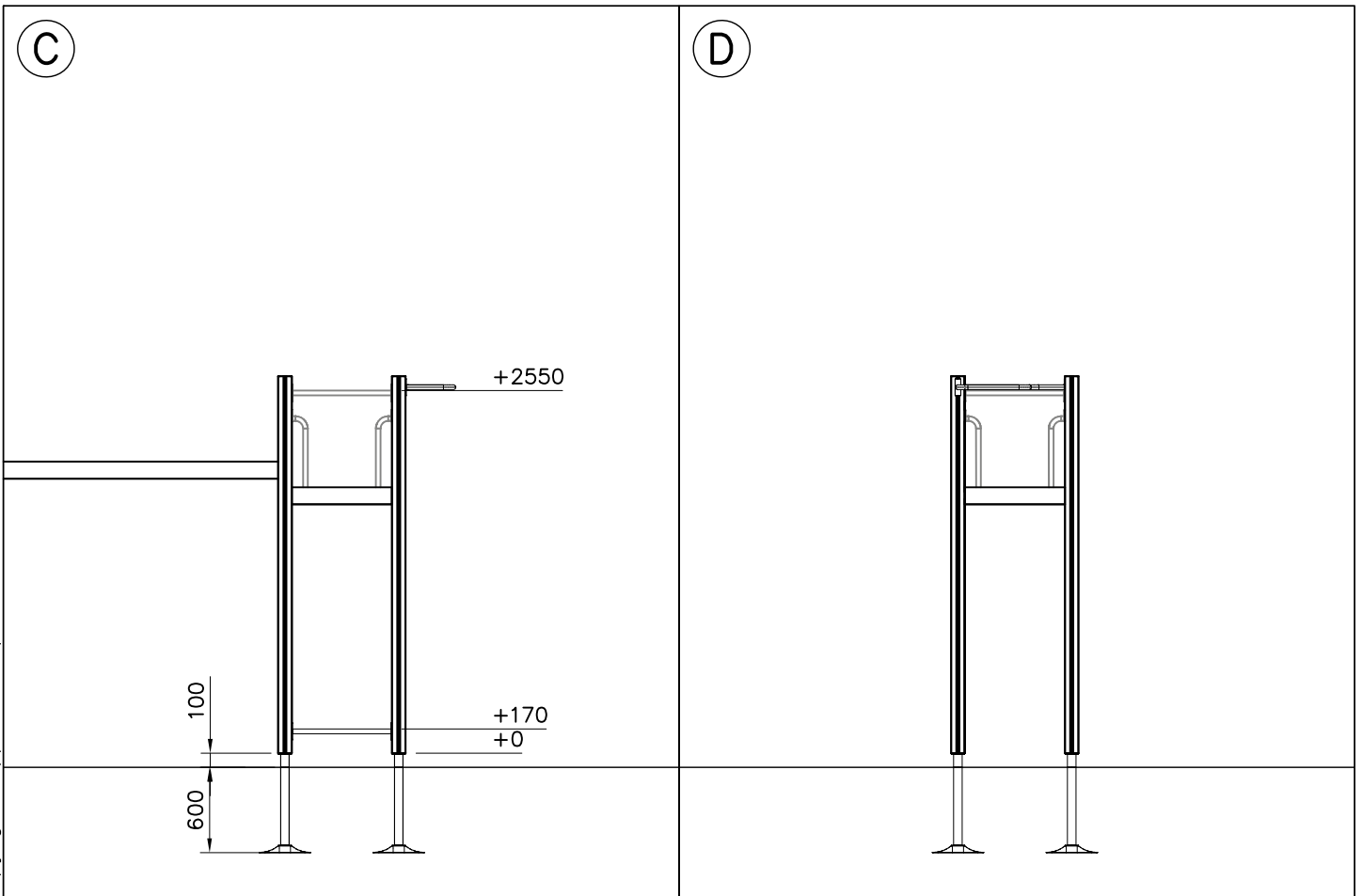
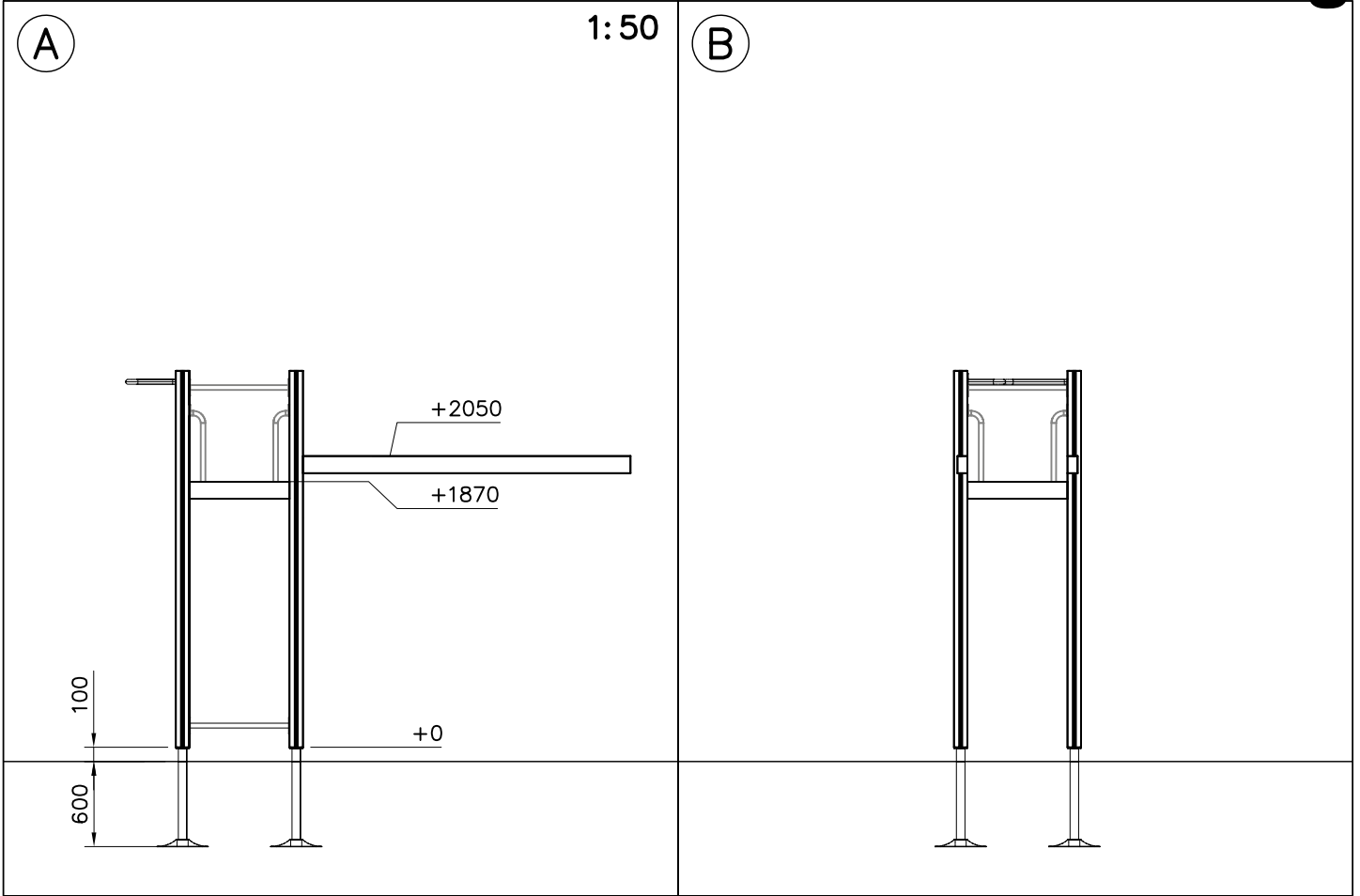
(D)

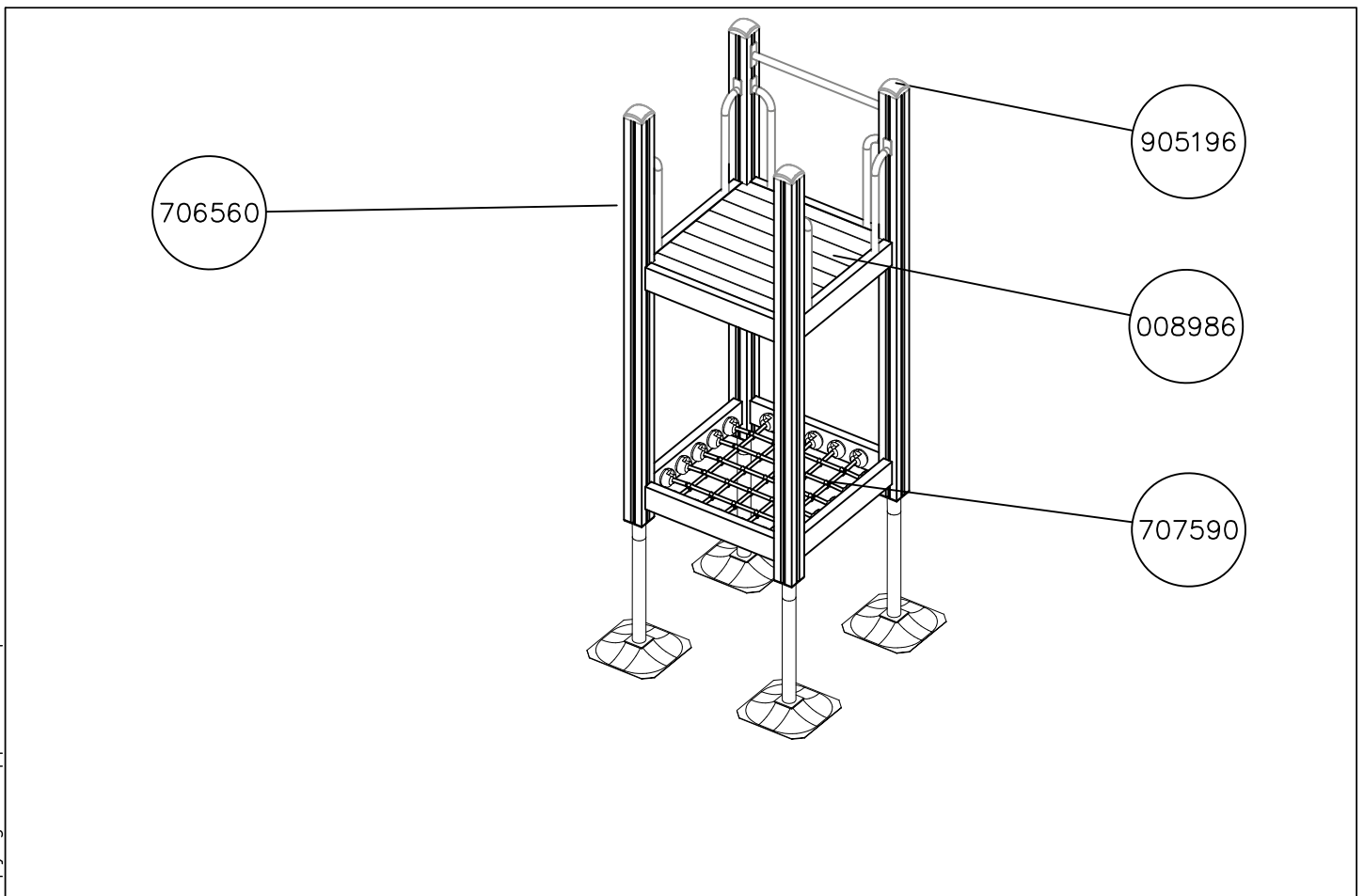
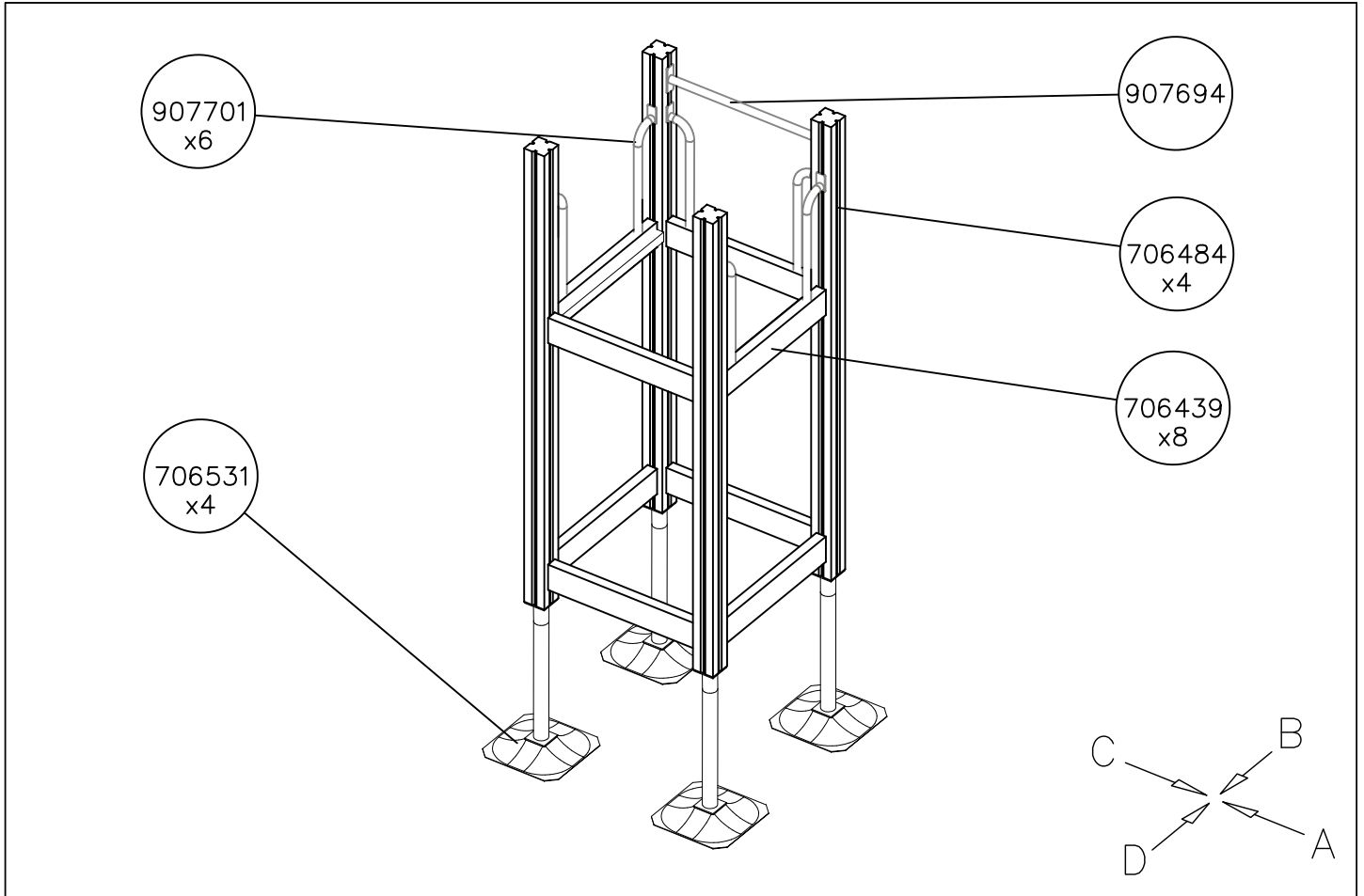




DATE: 29.10.2019

1:50



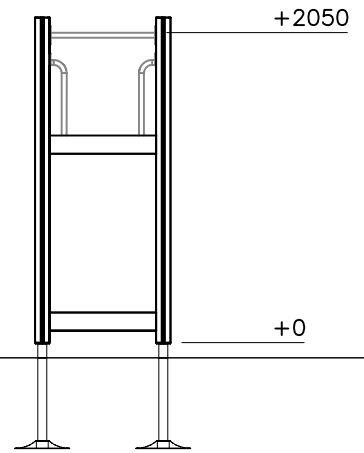
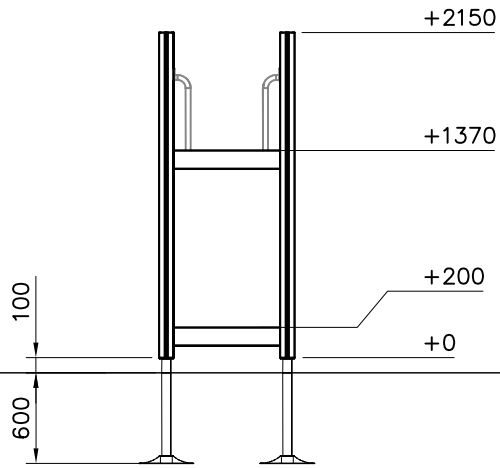


DATE: 29.10.2019

1:50

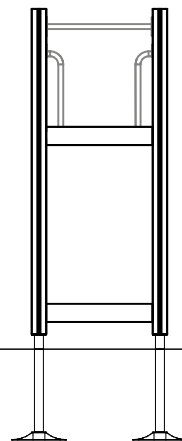
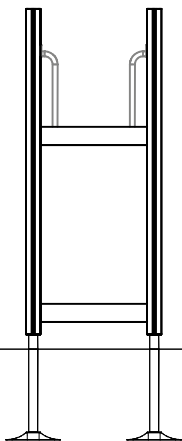
(A)

(B)

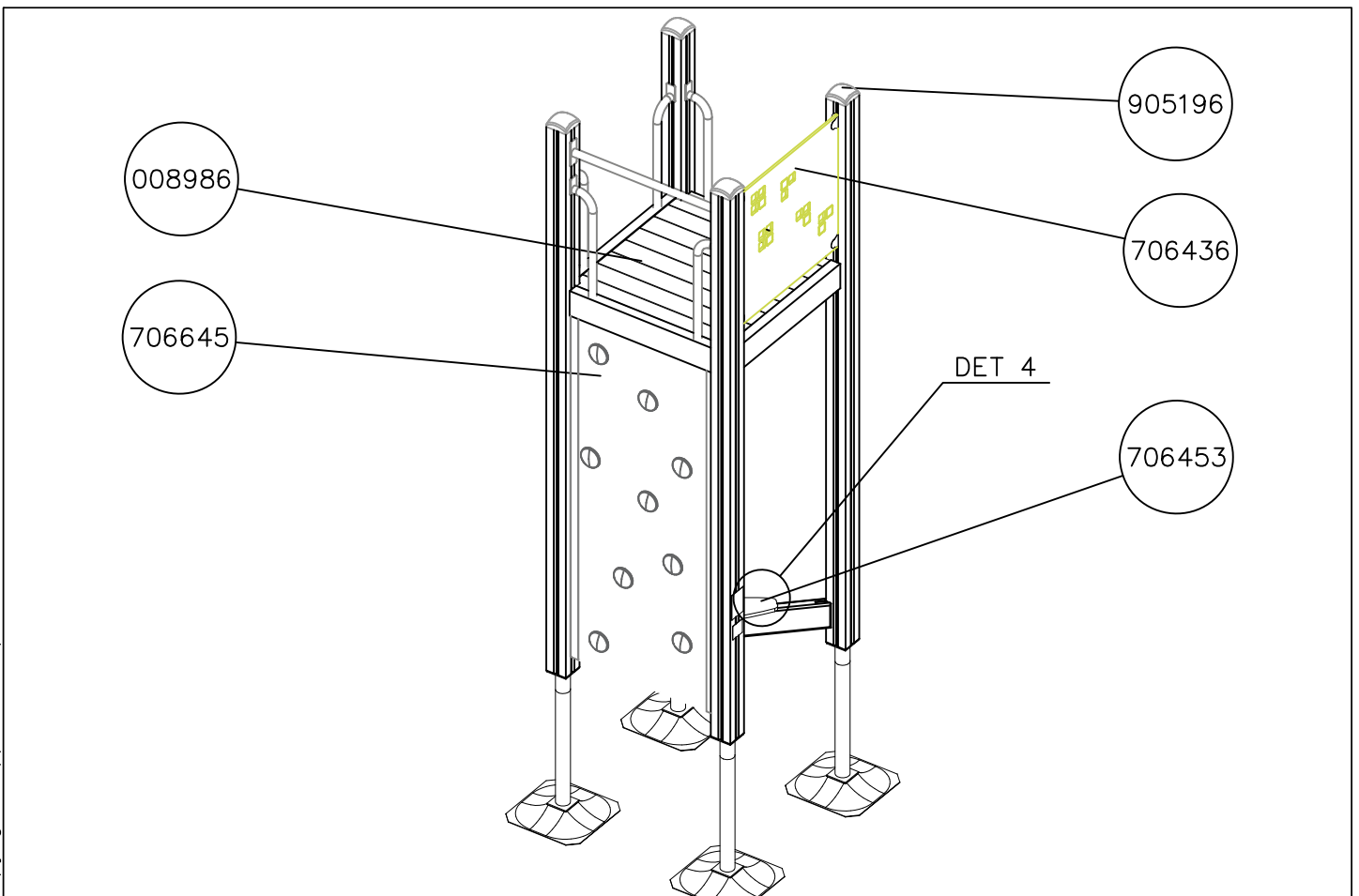
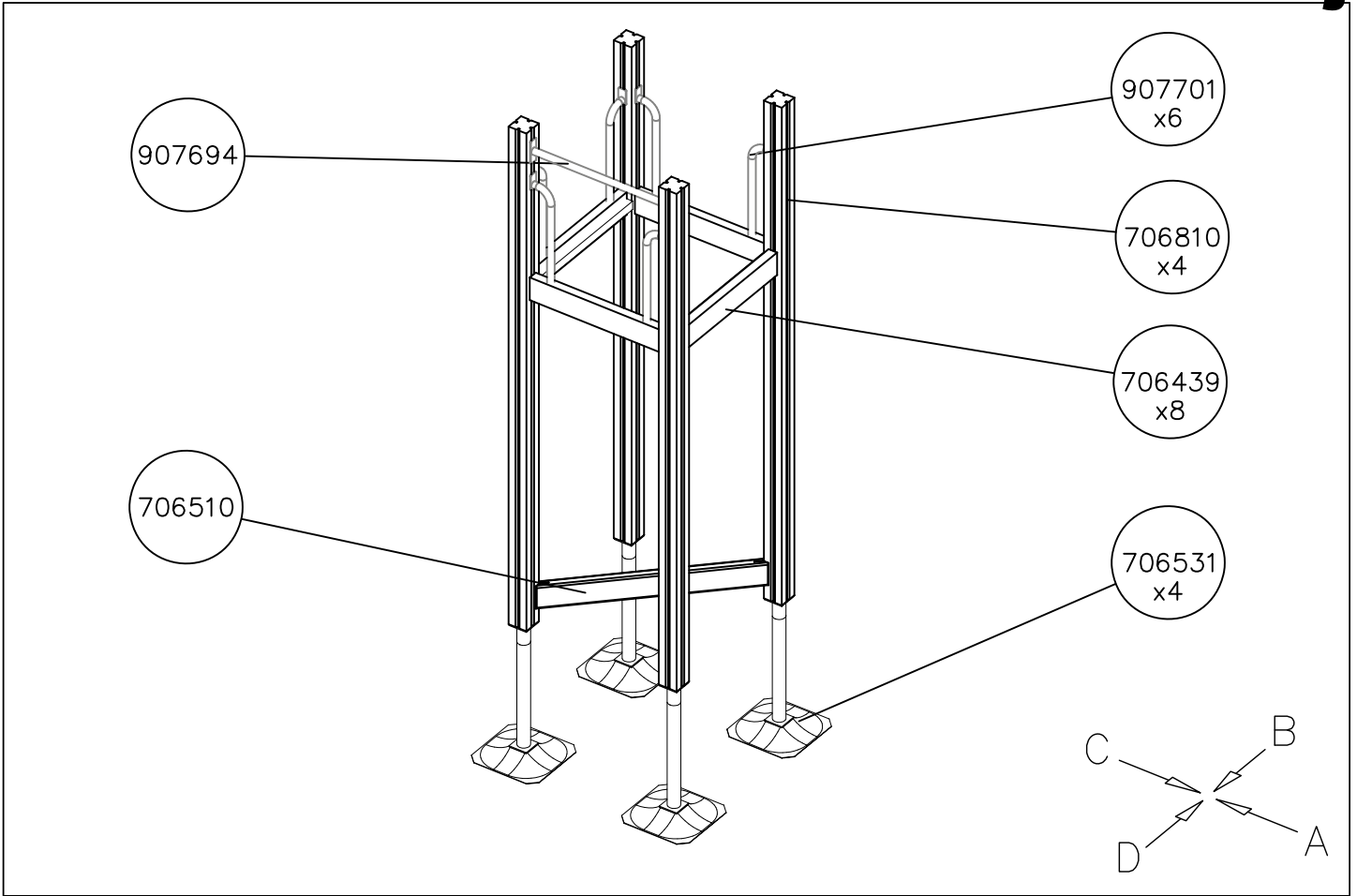


(C)

(D)



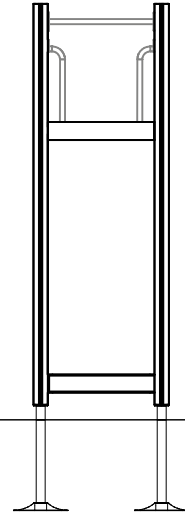
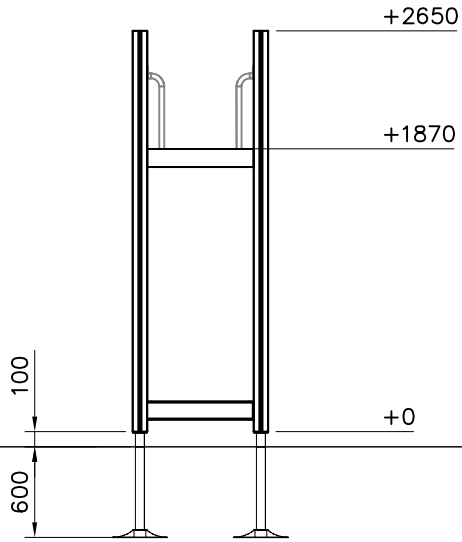
DATE: 29.10.2019



1:50

(A)

(B)



(C)

(D)

