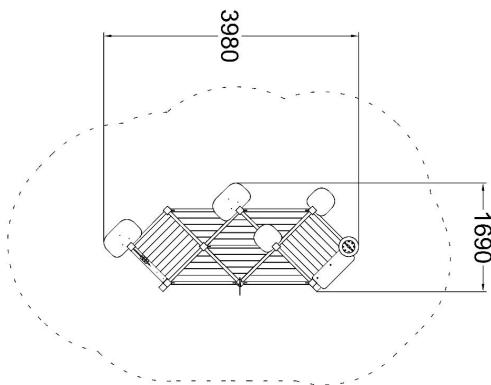




Taking learning to new heights, this elevated platform unit includes play elements and interactive panels. It features built-in blackboards for creative expression and interactive discussions, fostering a collaborative environment for small groups. Designed for larger groups, it combines educational features with playful elements, making it an exciting and dynamic focal point in the outdoor classroom.



Product length, mm	3980
Product width, mm	1690
Product height, mm	3240
Falling space, m ²	25.7
Max. free fall height, mm	590
Safety info	EN 1176-1 TÜV
Foundation options	deep_mounting surface_mounting
Wood	
Colour of walls and HPL	

